



42-1

The development of this throttle operation is unique, because the throttle cable is fully integrated into the pedal.

That means:

- The throttle cable is operated from inside the pedal
- No additional spatial requirement underneath the vehicle or the cabin floor
- No large breakthroughs necessary, only a simple hole pattern for 3 screws and the sealing plugs

## Features

### Pedal:

- Pedal angle continuously adjustable
- Robust steel sheet metal design, corrosion protected by black surface treatment
- Slip-proof pedal rubber on the tread surface

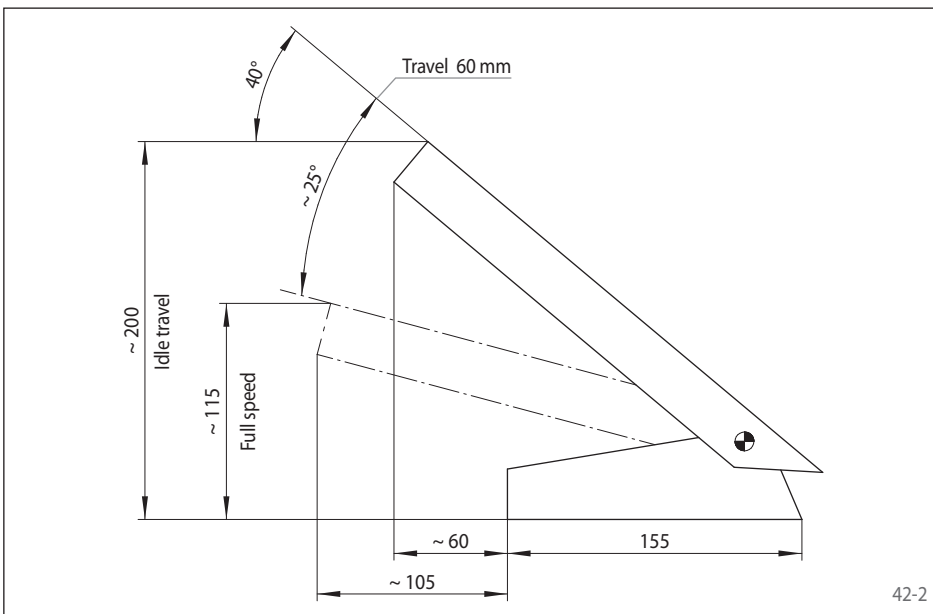
### Cable:

- Smooth operating throttle cable with high efficiency, particularly suitable also for large lengths
- Optimal assembly thanks to small bend radius of min. 51 mm
- Pulling loads of max. 450 N
- Can be employed at temperatures from -50° C to +90° C (short term +150° C)
- Throttle cable travel can be adjusted continuously between 20 mm - 60 mm

### General information:

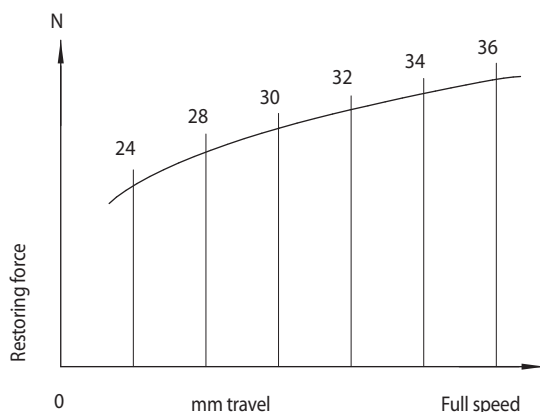
- A variety of end part variations for connection to the engine
- System-oriented accessories range
- Available for higher temperature upon request

Art.-No.: 4569-000023



42-2

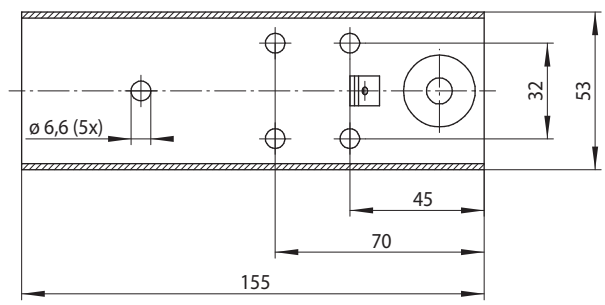
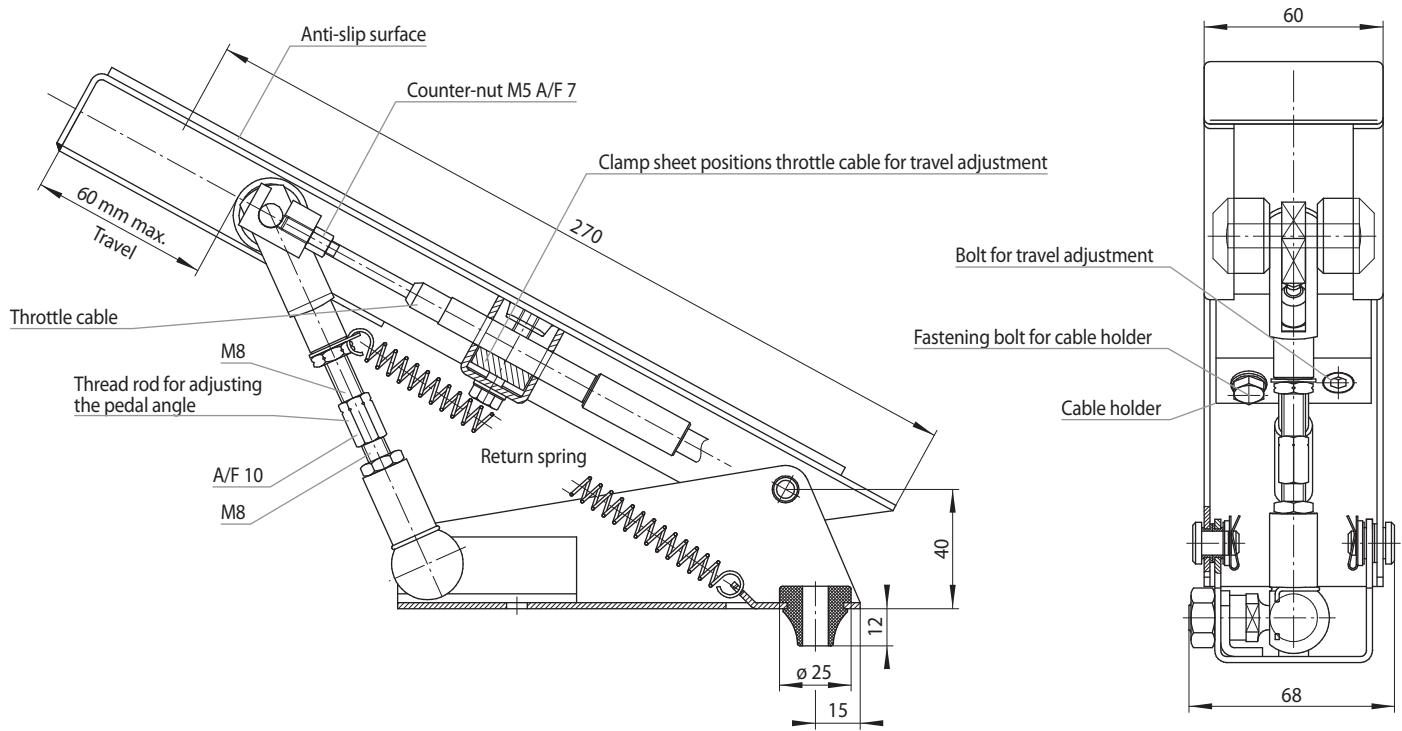
## Restoring force



42-3

# Throttle pedals

for pull only cable 283-U-GAS/... and 283-V-GAS/...

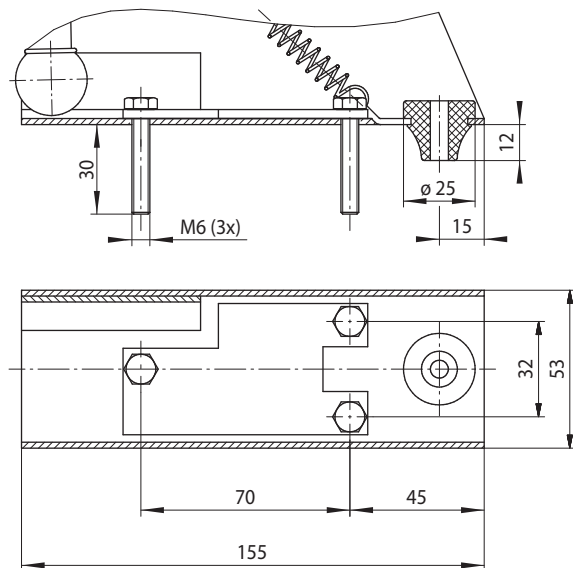


43-1

## Assembly plate

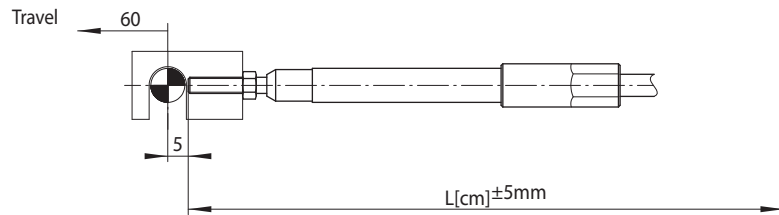
For easy screwing through the vehicle floor.

Art.-No.: 3570-000014

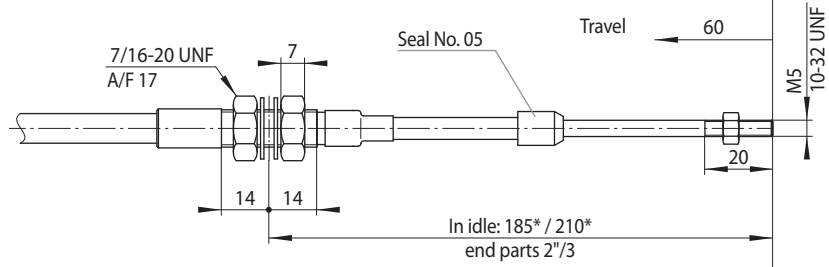


43-2

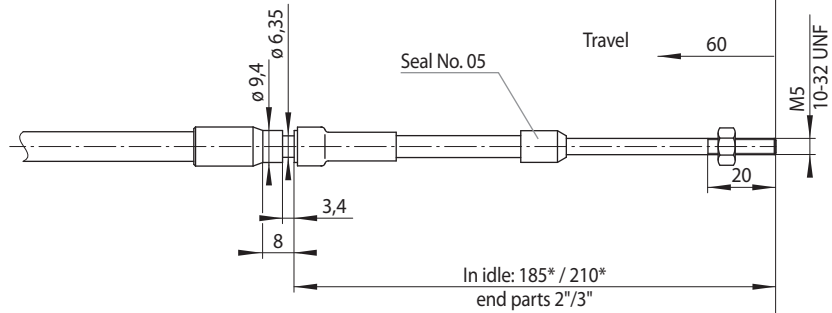
### Pedal connection GAS:



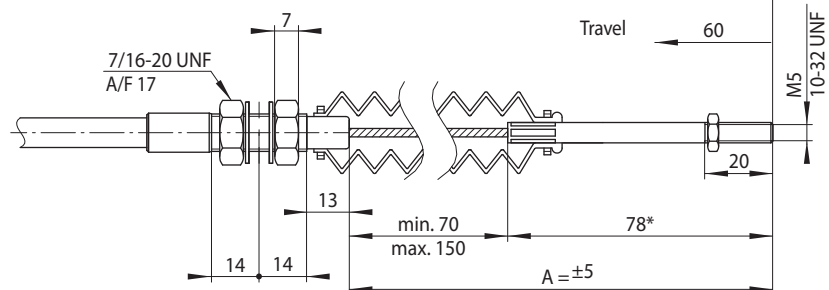
### Motor connection T05M:



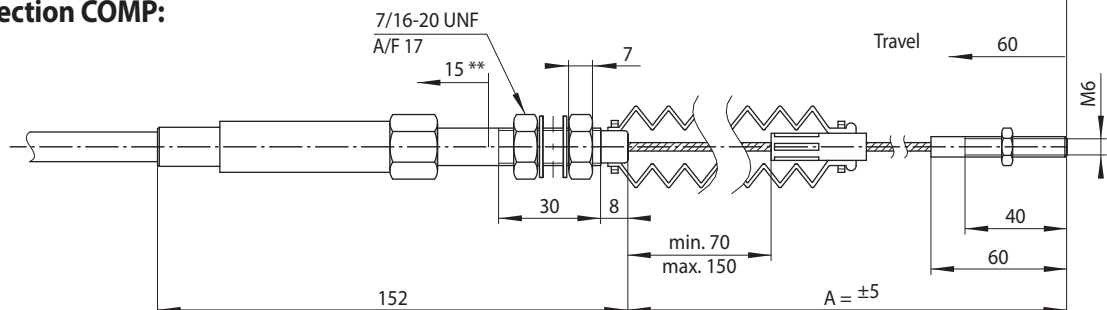
### Motor connection G05M:



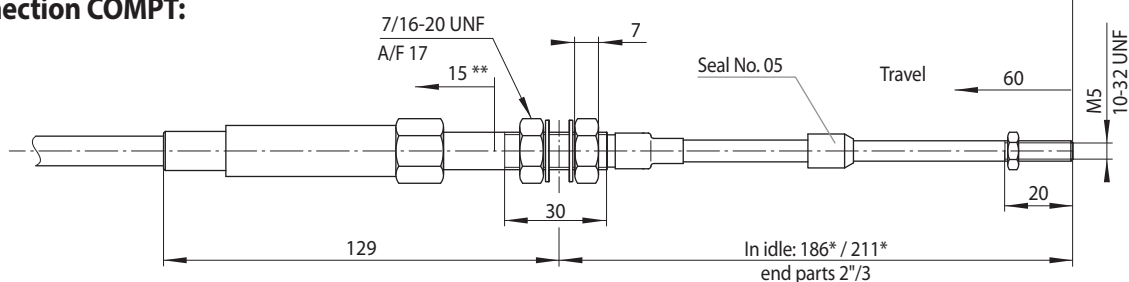
### Motor connection T00M:



### Motor connection COMP:



### Motor connection COMPT:



\* Other lengths, threads and motor connections available upon request • \*\* Compensated excess travel and exceeding the max. pull force

