



35-1

Features

- Sensitive regulation
- With locking and friction (adjustable)
- Travel 80 mm
- For push/pull cables 275-V and pull only cable 278-V

Maximum loads on the cable

Cable size 275/278-V: 500 N pull

Cable size 275-V: 50 N push

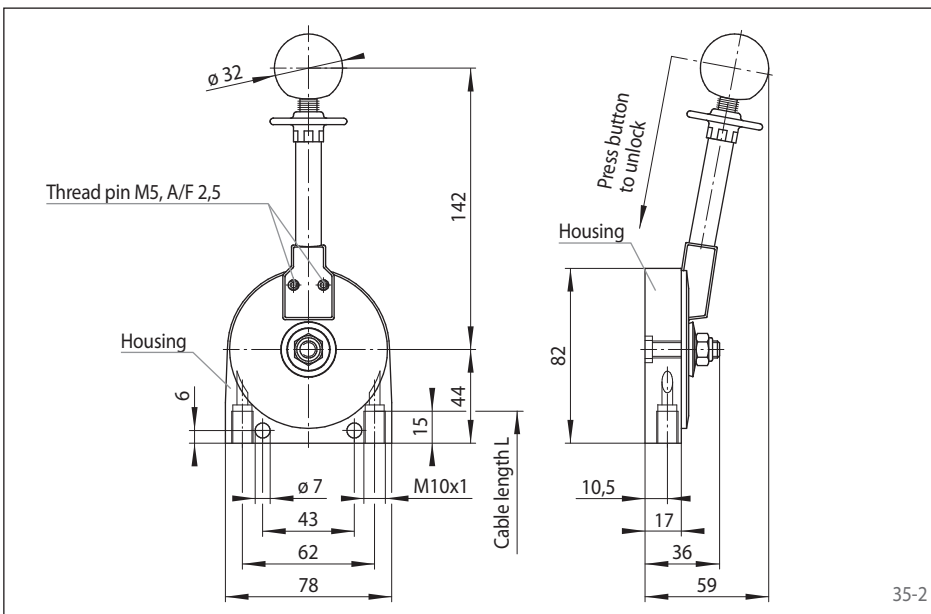
Maximum stopping force: 250 N

Travel at the cable: 80 mm

Lever transmission: 1:4,8

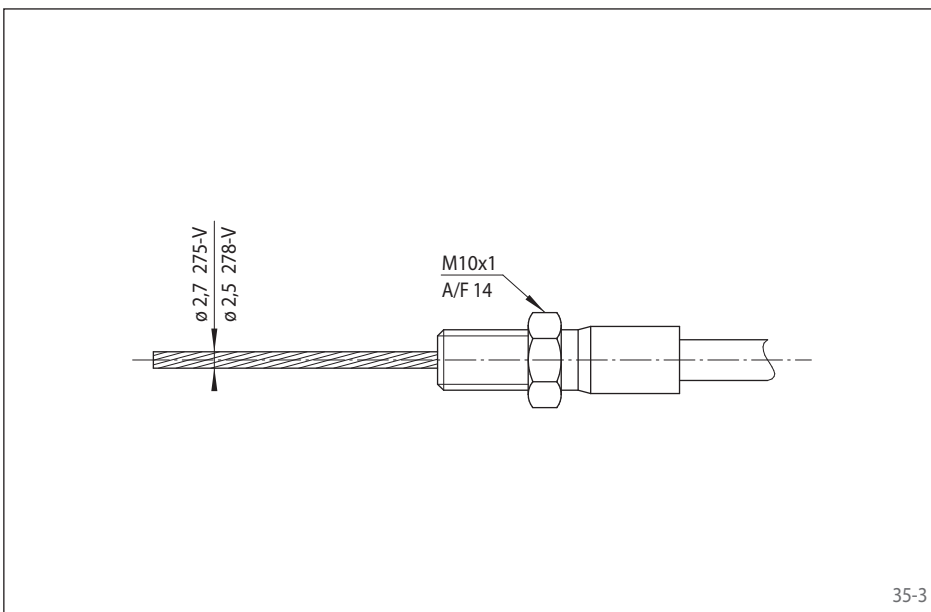
Lever swiveling angle: 156°

Art.-No.: 4561-002223



35-2

For more information on the design of the cable ends, see page 11 to 13, as well as page 39.



35-3

Cable end MGS for connection to friction control 22.3