



Features

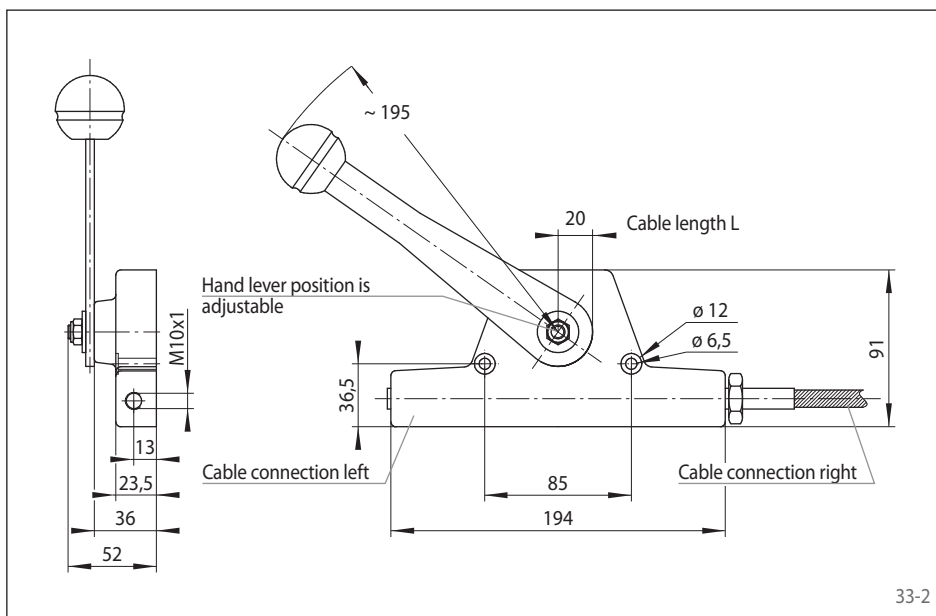
- Adjustable friction
- Robust design
- Suitable for raw operation
- Connection for push/pull cables

Cable size V or L, travel code 3

The 58.5 and 58.3 series (with a catch in medium position) are equipped for adjustable friction and are suitable for their robust construction for mechanical remote adjustments also under raw operating conditions.

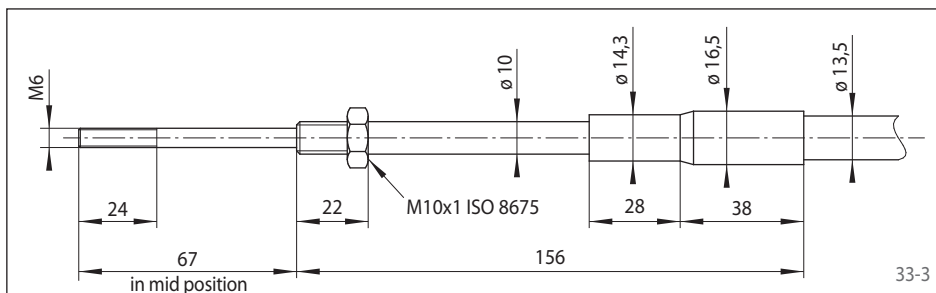
Maximum loads on the cable

Cable size V:	300 N
Cable size L:	500 N
Maximum holding force:	200 N
Travel of the cable:	76 mm
Lever transmission:	1:6
Lever swiveling angle:	170°

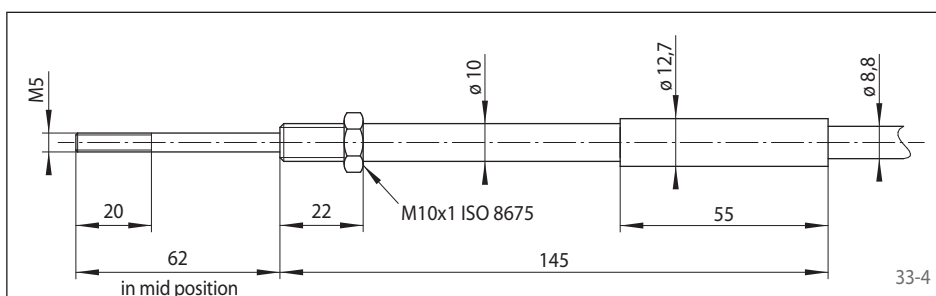


Art.-No.:	Cable connection:
4561-002011-000000	Type 58.5, left V / right L
4561-002012-000000	Type 58.5, left L / right V
4561-002015-000000	Type 58.3, left V / right L
4561-002016-000000	Type 58.3, left L / right V

For more information on the design of the cable ends, see page 11 to 13.



Cable end MGD size L for connection to control lever 58.5 and 58.3



Cable end MGD size V for connection to control lever 58.5 and 58.3