



32-1

Features

- Sensitive adjustment
- With friction
- For highly flexibly push/pull cables

Cable size U, travel code 2

This control lever offers with its long operating lever and the fine tunable friction the best prerequisite for sensitive adjustments, such as speed regulation of motors/hand throttle; with RCS® push/pull cables size U.

Maximum loads on the cable

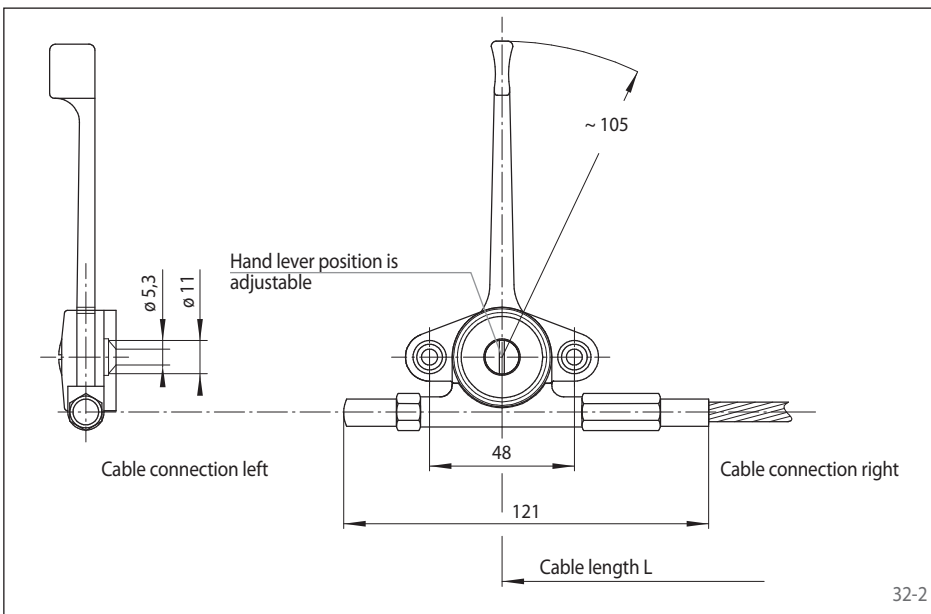
Cable size U: 80 N

Maximum holding force: 50 N

Travel of the cable: 48 mm

Lever transmission: 1:6

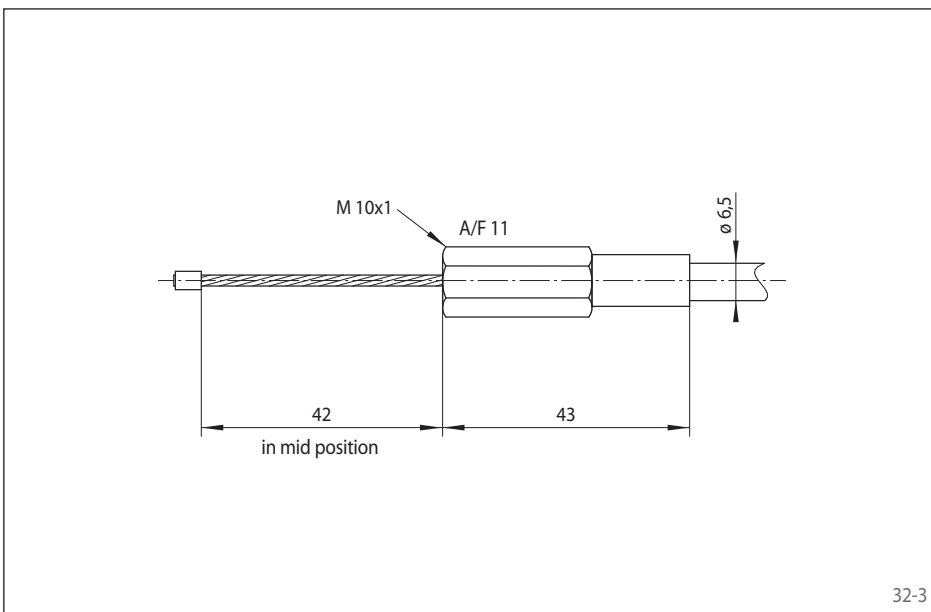
Lever swiveling angle: 170°



32-2

Art.-No.:	Cable connection:
4561-002001-000000	left
4561-002002-000000	right

For more information on the design of the cable ends, see page 11 to 13.



32-3

Cable end MGD for connection to control lever 14 RN 15