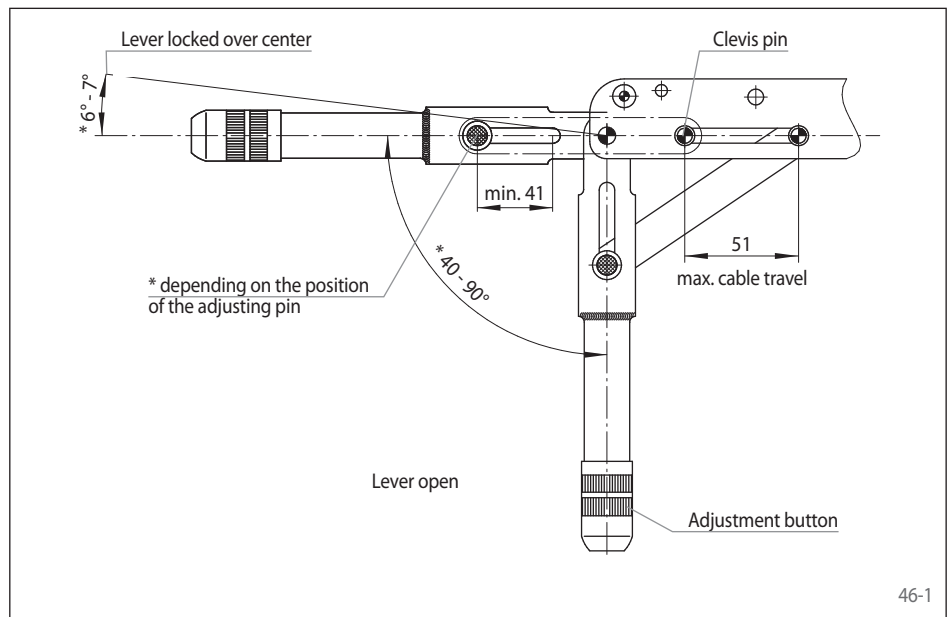


### Over center locking

The hand lever rests only in two positions: CLOSED and OPEN without the use of ratchets, segments or other unlocking mechanisms. The brake activation is achieved by the simple turnover of the hand lever and secured over center locking.

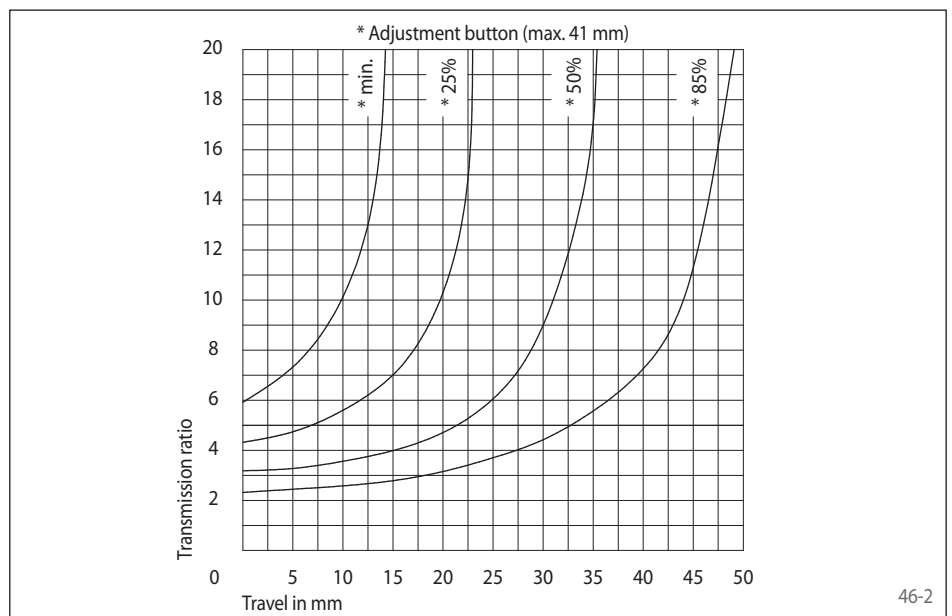


46-1

### Transmission ratio

A brake cable system is elastic and not linear or rigid. When turning the hand lever, the available backlash, travel of a return spring at the brake and finally the elasticity of all components are rescinded.

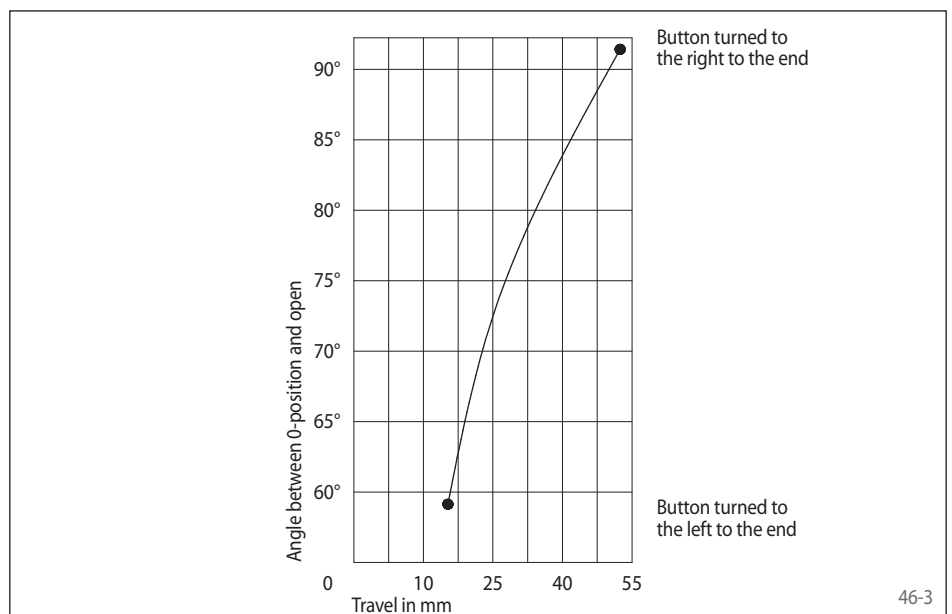
The transmission ratio is dependent on the position of the adjusting pins and the travel at the clevis pin, to be read in the curves depicted here.



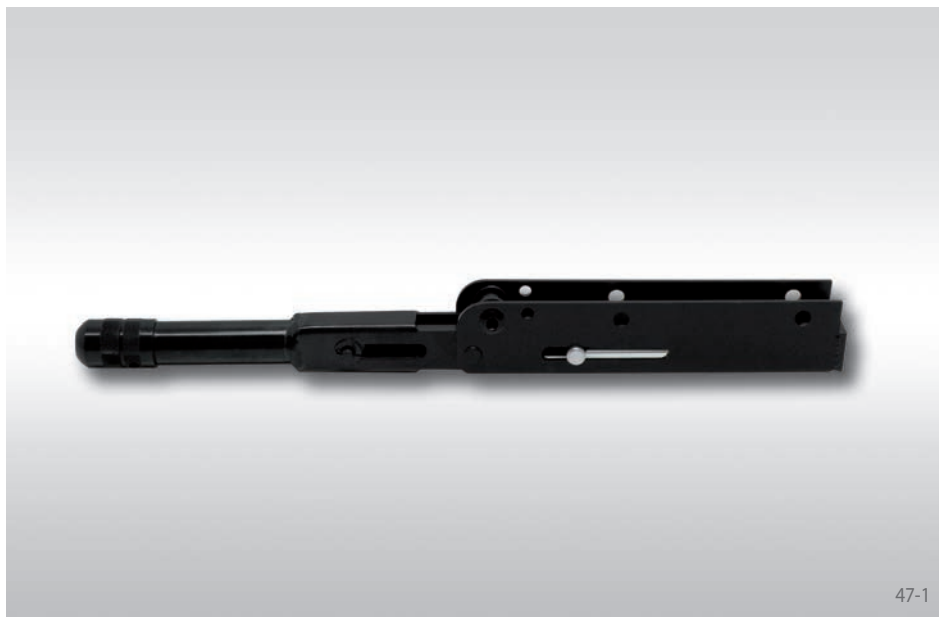
46-2

### Adjustment

Backlash in the brake cable or wear of the brake can be compensated for up to a max. 41 mm using the ball-locking adjustment button. The angle of the hand lever from 40° to 90° is dependent on the position of the adjusting and clevis pins.



46-3

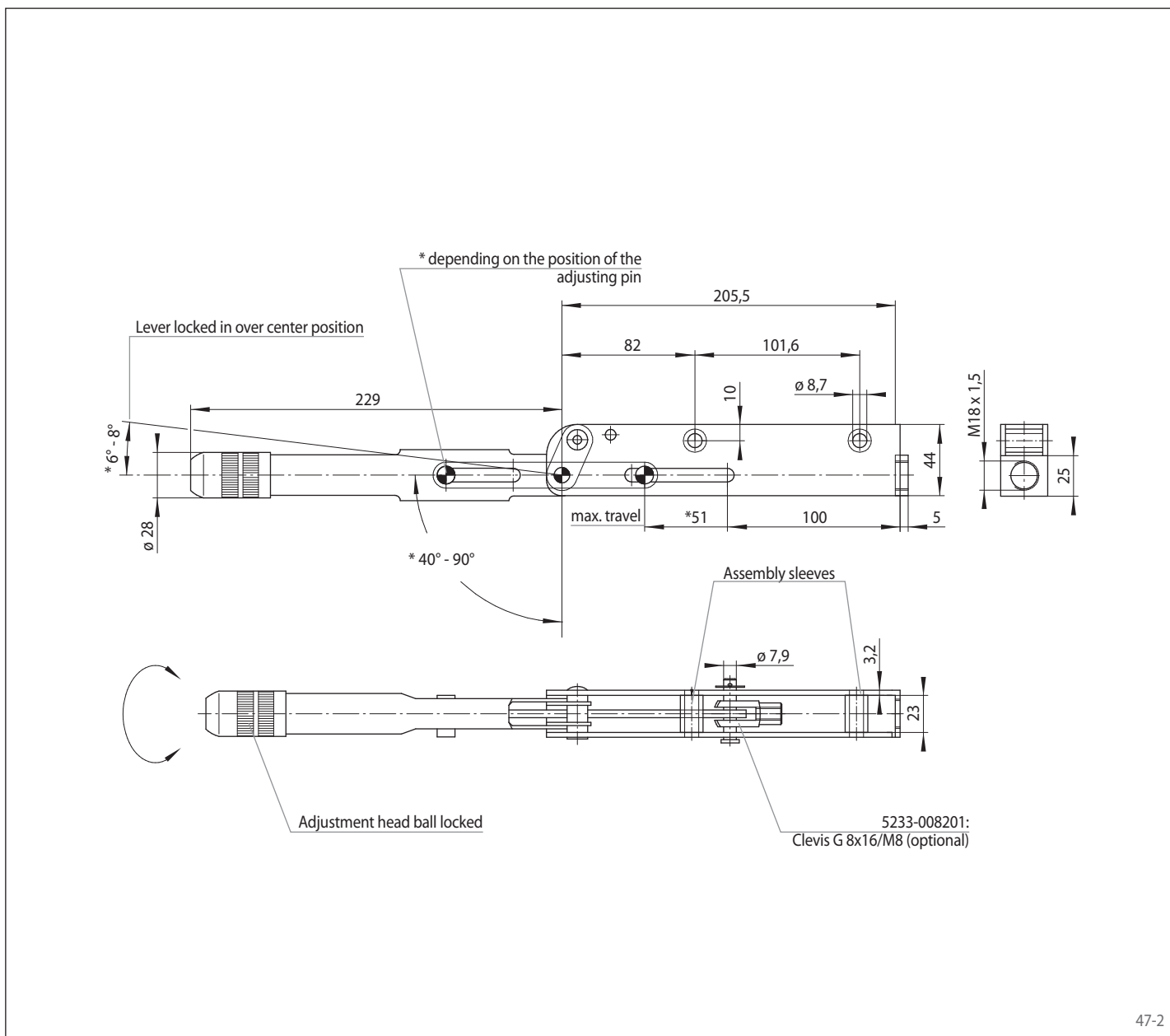


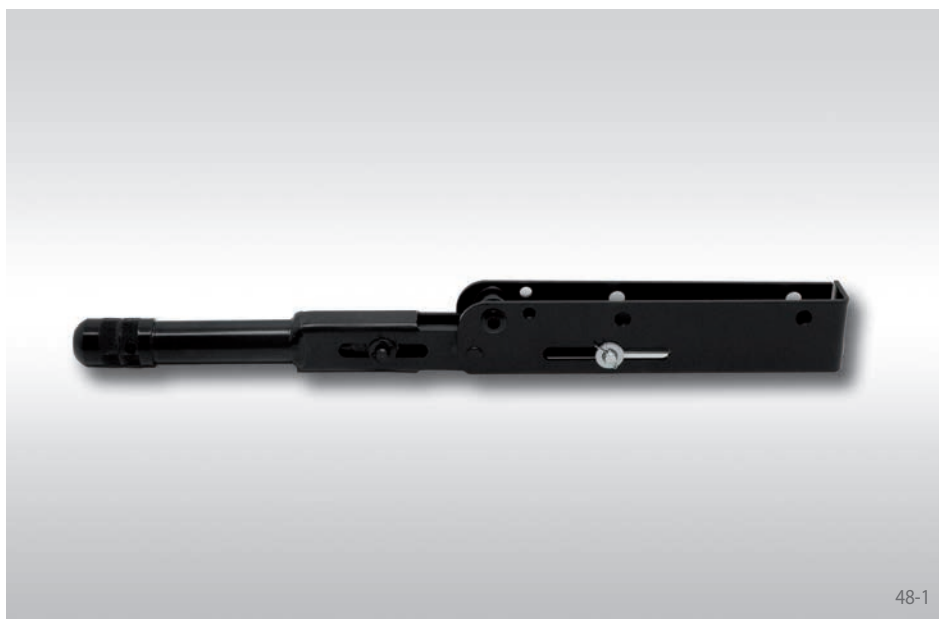
### Features

- Over center locking
  - 2 positions: OPEN and CLOSED
  - Travel adjustable via adjustment button
  - Connection for push/pull cable
  - Bulkhead endfitting
- Art.-No.: 4561-000001-S50452

### Accessories for B 5 ... series hand brake lever

Please see page 53.





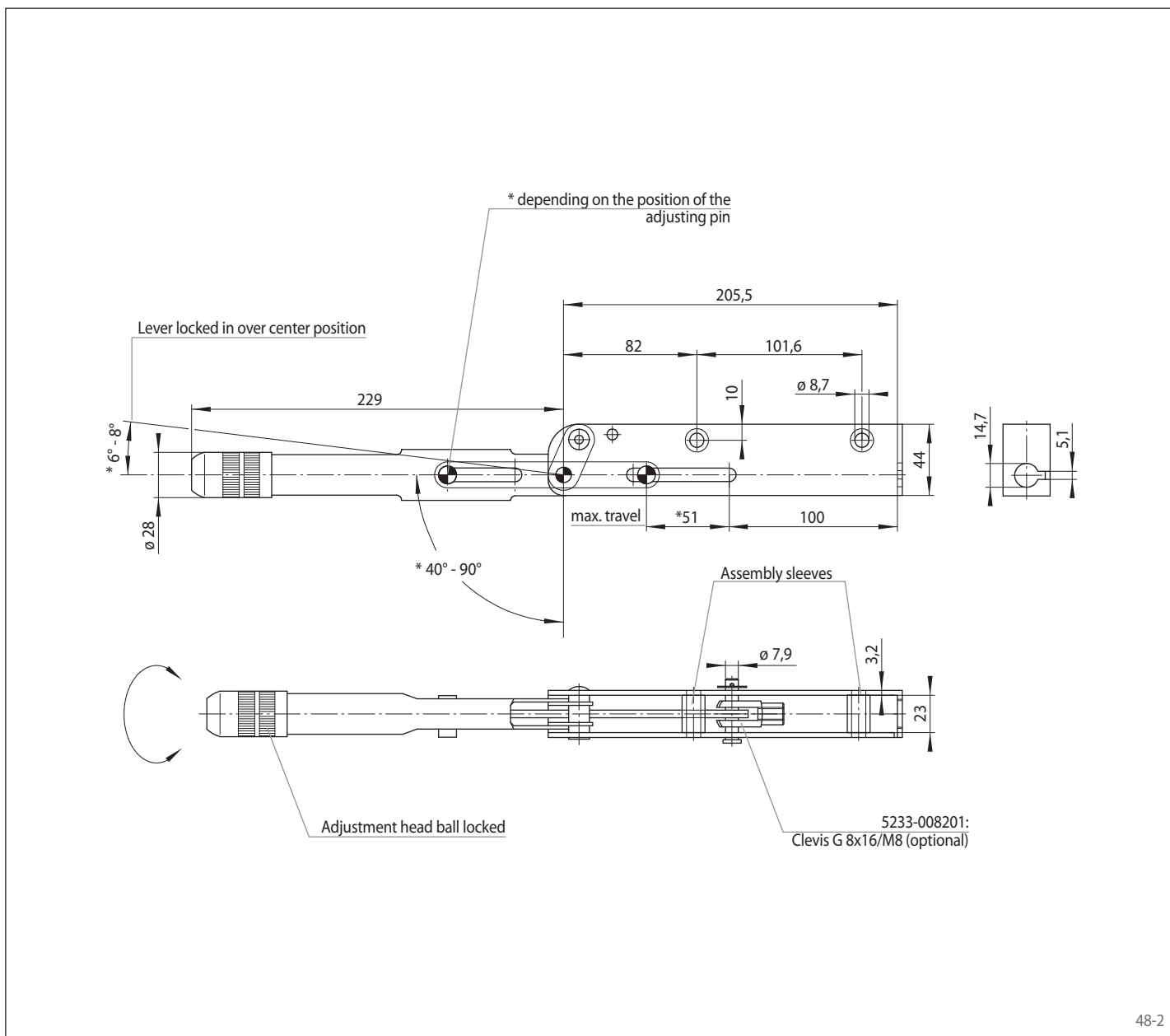
### Features

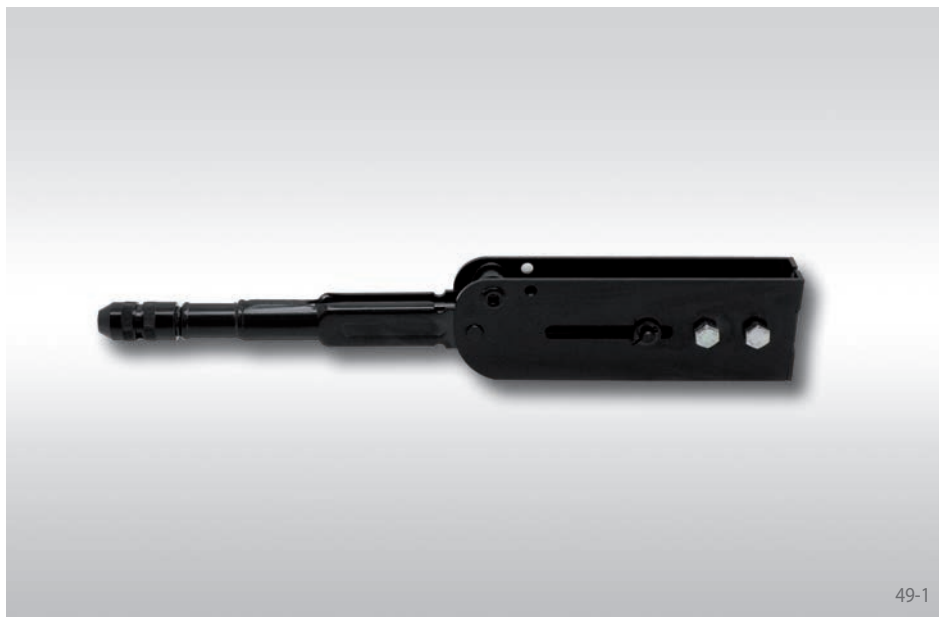
- Over center locking
- 2 positions: OPEN and CLOSED
- Travel adjustable via adjustment button
- Connection for push/pull cable
- Insert endfitting

Art.-No.: 4561-000001-S50401

### Accessories for B 5 ... series hand brake lever

Please see page 53.





### Features

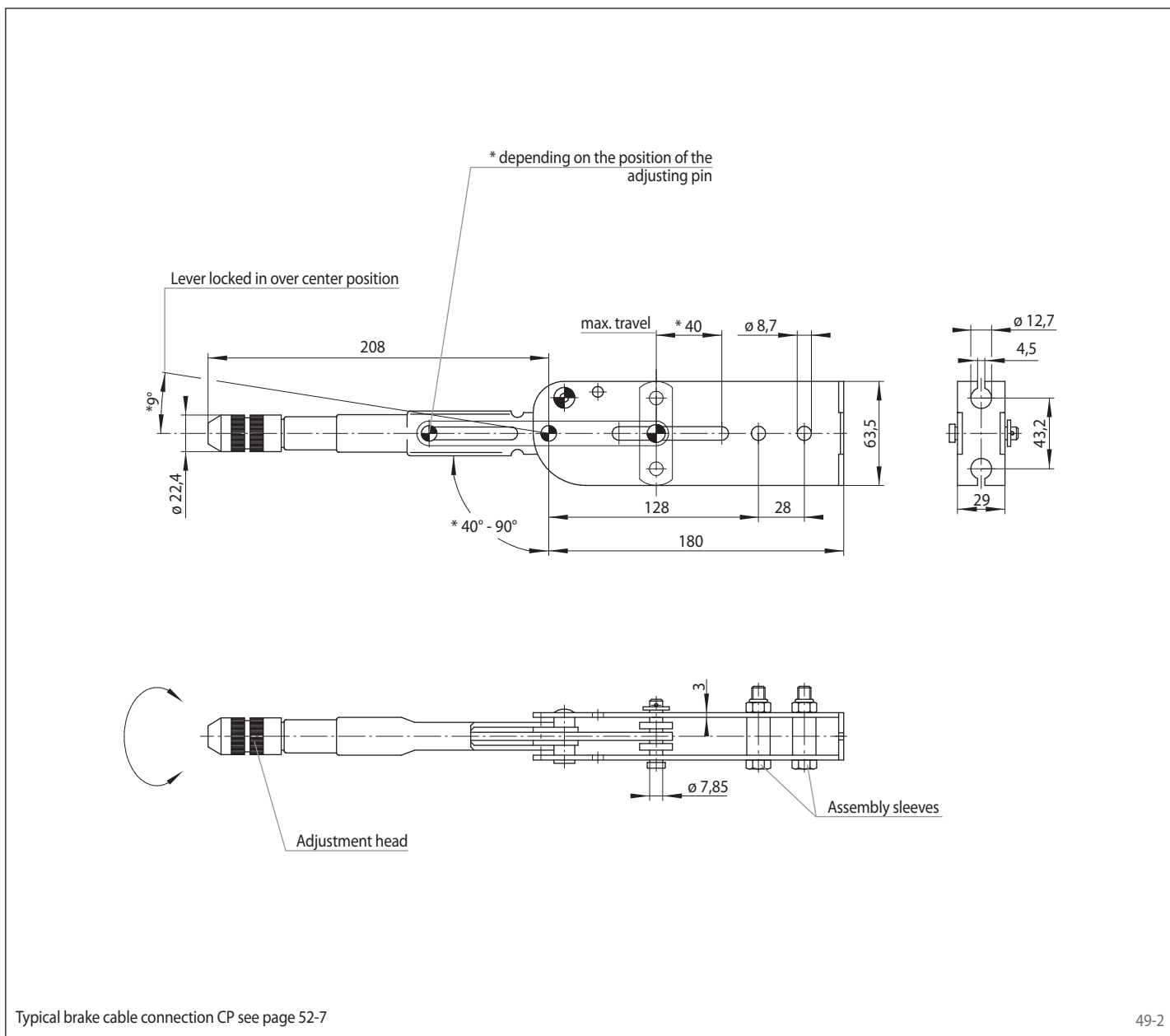
- Over center locking
- 2 positions: OPEN and CLOSED
- Travel adjustable via adjustment button
- Connection for push/pull cable
- Insert endfitting

Art.-No.: 4561-000001-S50513

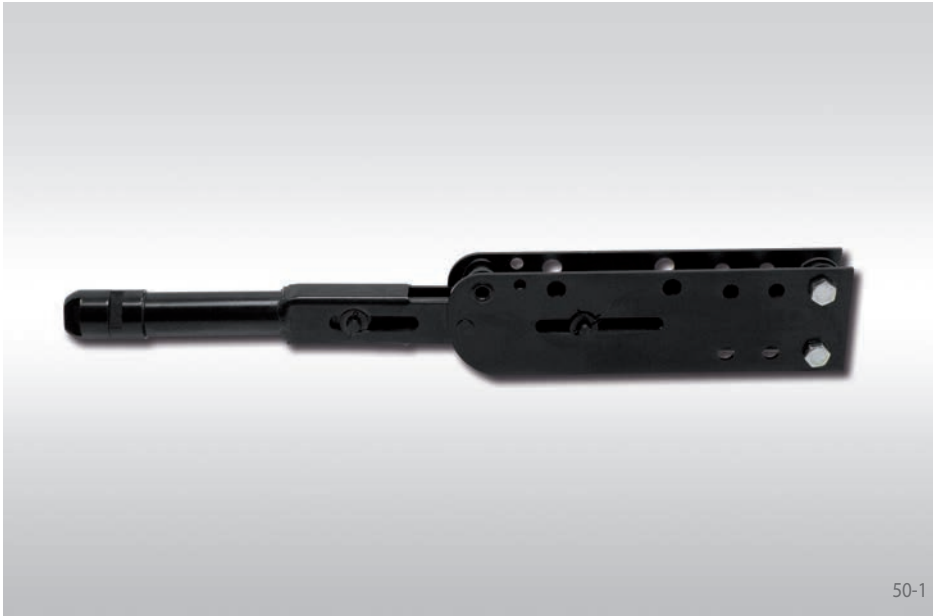
### Accessories for B 5 ... series hand brake lever

Please see page 53.

49-1



49-2



### Features

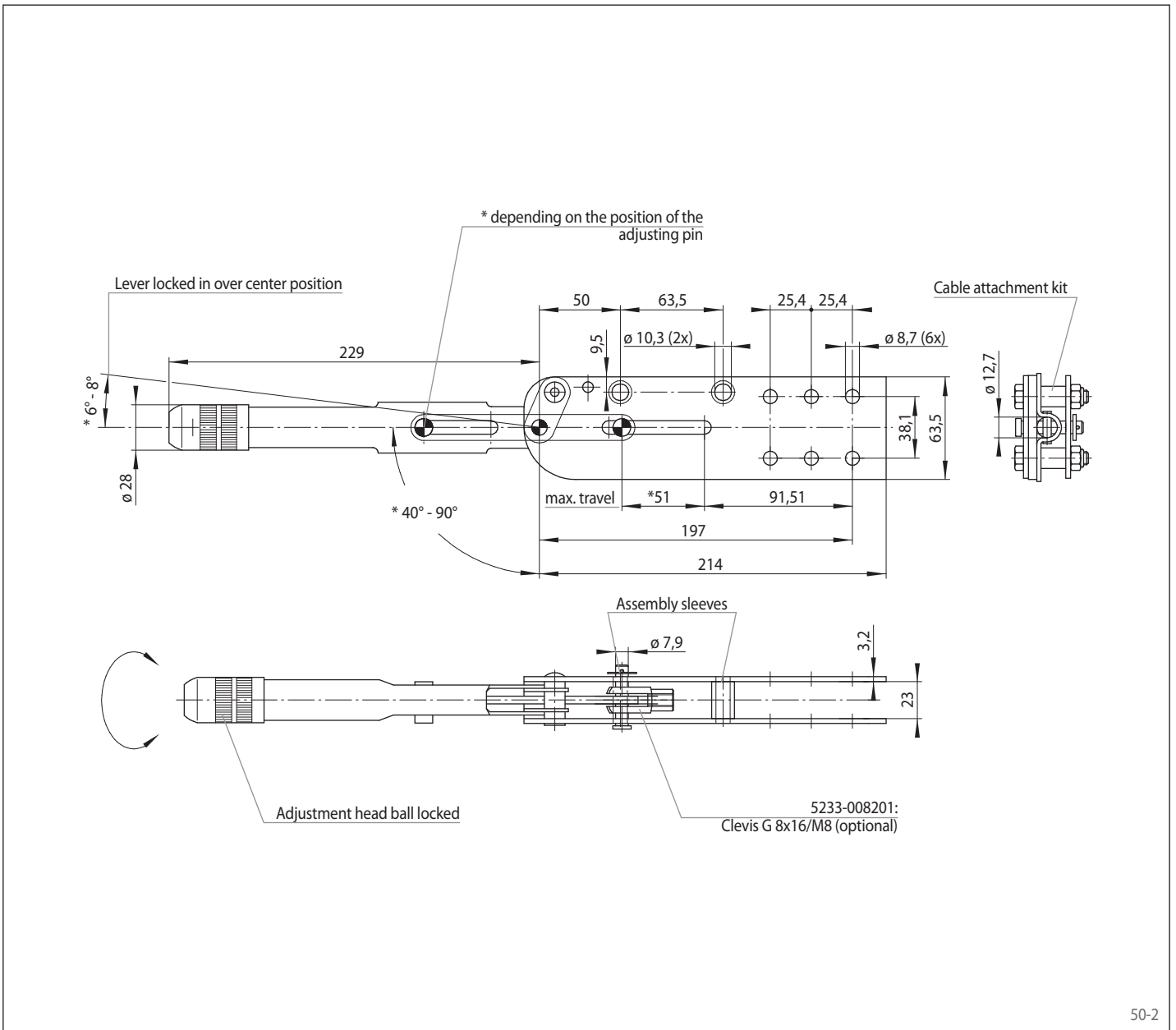
- Over center locking
- 2 positions: OPEN and CLOSED
- Travel adjustable via adjustment button
- Connection for push/pull cable
- Clamp endfitting

Art.-No.: 4561-000001-S50408

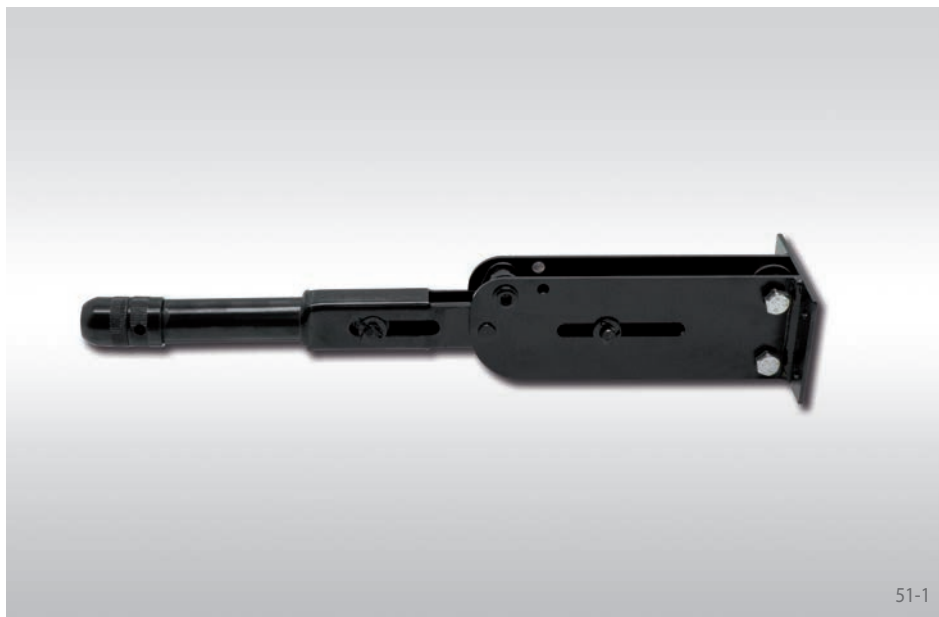
### Accessories for B 5 ... series hand brake lever

Please see page 53.

50-1



50-2



### Features

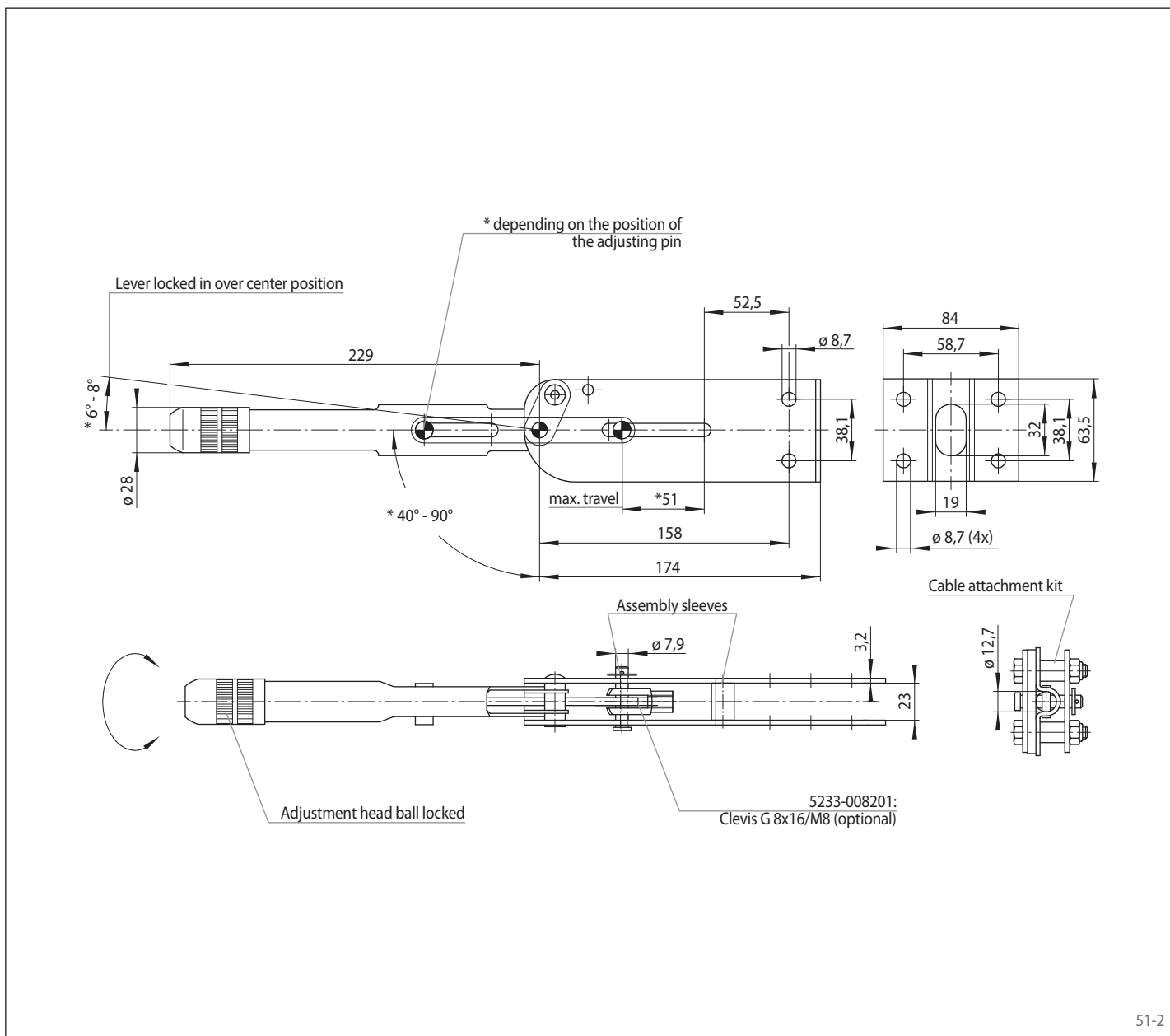
- Over center locking
- 2 positions: OPEN and CLOSED
- Travel adjustable via adjustment button
- Connection for push/pull cable
- Clamp endfitting

Art.-No.: 4561-000001-S50410

### Accessories for B 5 ... series hand brake lever

Please see page 53.

51-1



51-2

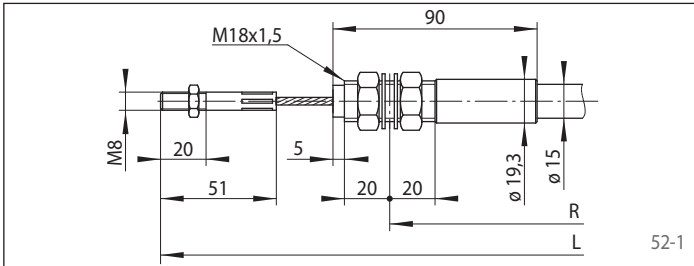
### Features

For pull forces: 1800 N permanent, 2400 N max.  
 Min. bend radius: 127 mm  
 Temperature range: -50° C to +110° C

Steel parts galvanized (zinc-coated)  
 Rod ends made from stainless steel  
 With stainless steel strands  $\varnothing$  4 mm

### Lever side:

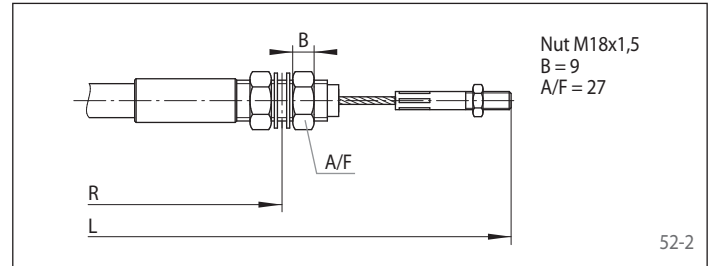
#### TB



52-1

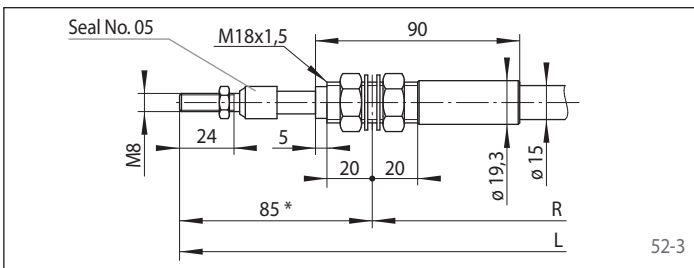
### Output side:

#### TB



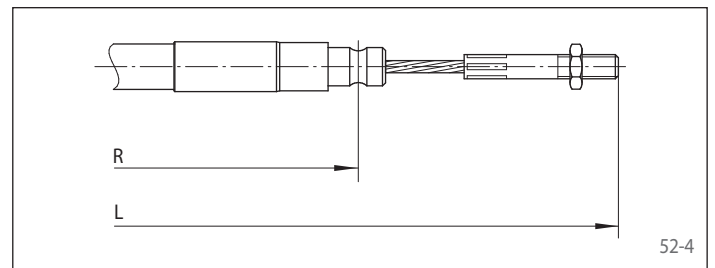
52-2

#### TB05



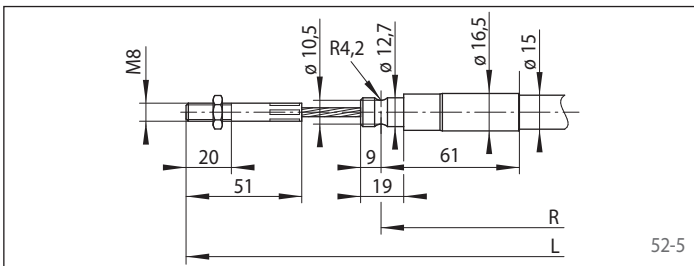
52-3

#### GB



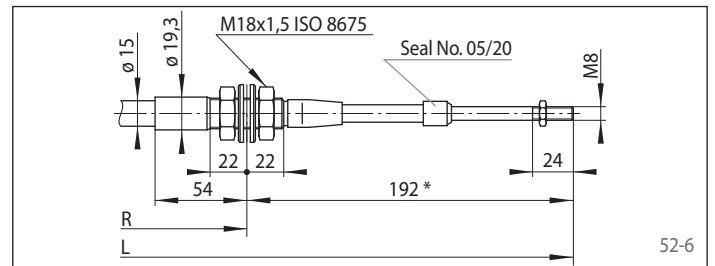
52-4

#### GB



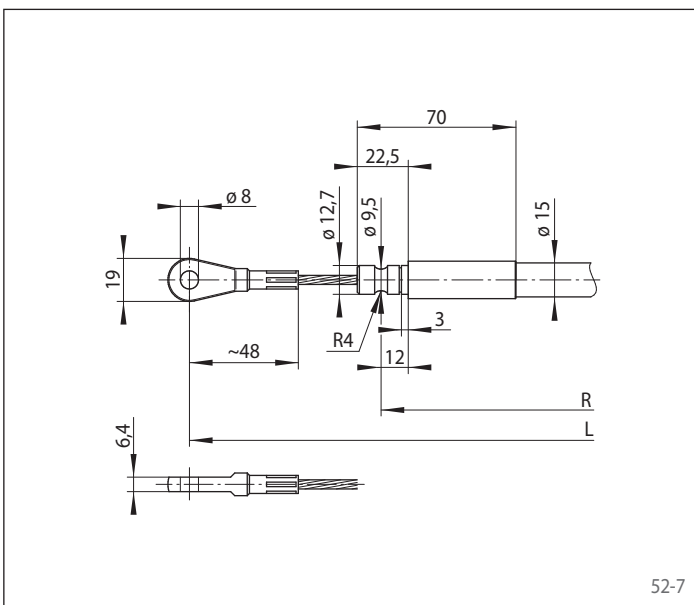
52-5

#### T05M / T20M



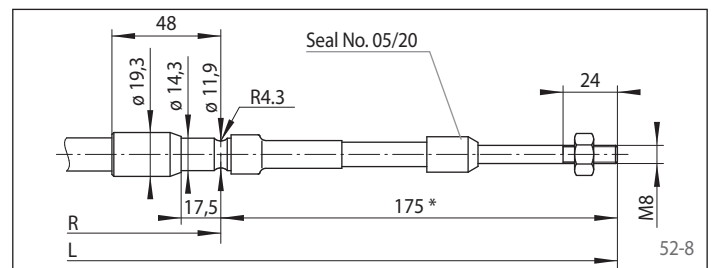
52-6

#### CP



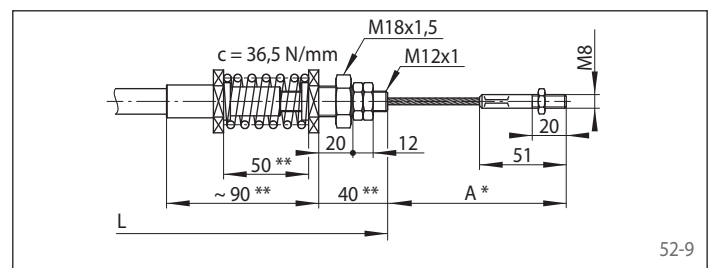
52-7

#### G05M / G20M



52-8

#### COMP



52-9

\* Brake lever open •\*\* Spring compensating device set to 380 N

Other output sides upon request

Lever locked in over center position

Electric switch

\*6° - 8°

Part	Art.-No.	Description	Circuit diagram image - contact pressed
①	3561-001804	El. switch kit CLOSER	
②	3561-001821	El. switch kit OPENER	

53-1

## Electrical switch for hand brake lever

Two switches can optionally be supplied:

- ① Electrical CLOSER
- ② Electrical OPENER

Switch voltage: max. 24 V

Switch current: max. 4 A

Switch capacity: max. 48 W

Switches are supplied with attachment parts.



## Plastic handle for hand brake lever

Plastic handle for hand brake lever B 50513

Art.-No.: 5220-000513-000000

Plastic handle for hand brake lever B 504xx upon request.

Lever locked in over center position

\*6° - 8°

Adjustment head ball locked

\* depending on the position of the adjusting pin

5233-008201:  
Clevis G 8x16/M8

53-3

## Brake lever system for RINGSPANN brake calipers DV 020 MKM and DH 020 MKM

Brake caliper manually activated - manually released

The pressure pin with a spring mechanism compensates the wear of the brake pads during the braking procedure (lever locked in over center position).

Seal No. 05

M8

M18x1,5

10

30

4

105

5

40

19,3

15

105

~90

L1±5

Clevis G8x32 / M8

\* Spring compensating device set to 380 N

Brake caliper DV 020 MKM

Brake opened

53-4