

Brake Caliper HS 075 HFK

hydraulically activated – spring released



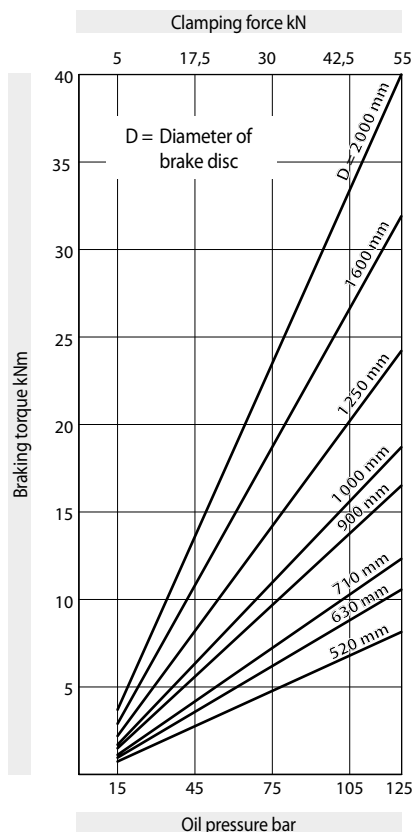
Features	Code
Brake Caliper	H
Floating caliper	S
Frame size 075	075
Hydraulically activated	H
Spring released	F
No adjustment to accommodate friction block wear	K
Max. clamping force 55 kN	055

Example for ordering

Brake Caliper HS 075 HFK, max. clamping force 55 kN:

HS 075 HFK - 055

Technical Data



Oil pressure: min. 15 bar
max. 125 bar

Oil volume: max. 70 cm³

Weight: ca. 80 kg

Other features

- High safety against leakage
- Easy change of friction blocks
- Painted with surface coating class C4-L according to ISO 12944
- For brake disc thickness $W = 20$ mm; brake disc thicknesses of up to 40 mm can be achieved with the use of a spacer installed by the customer

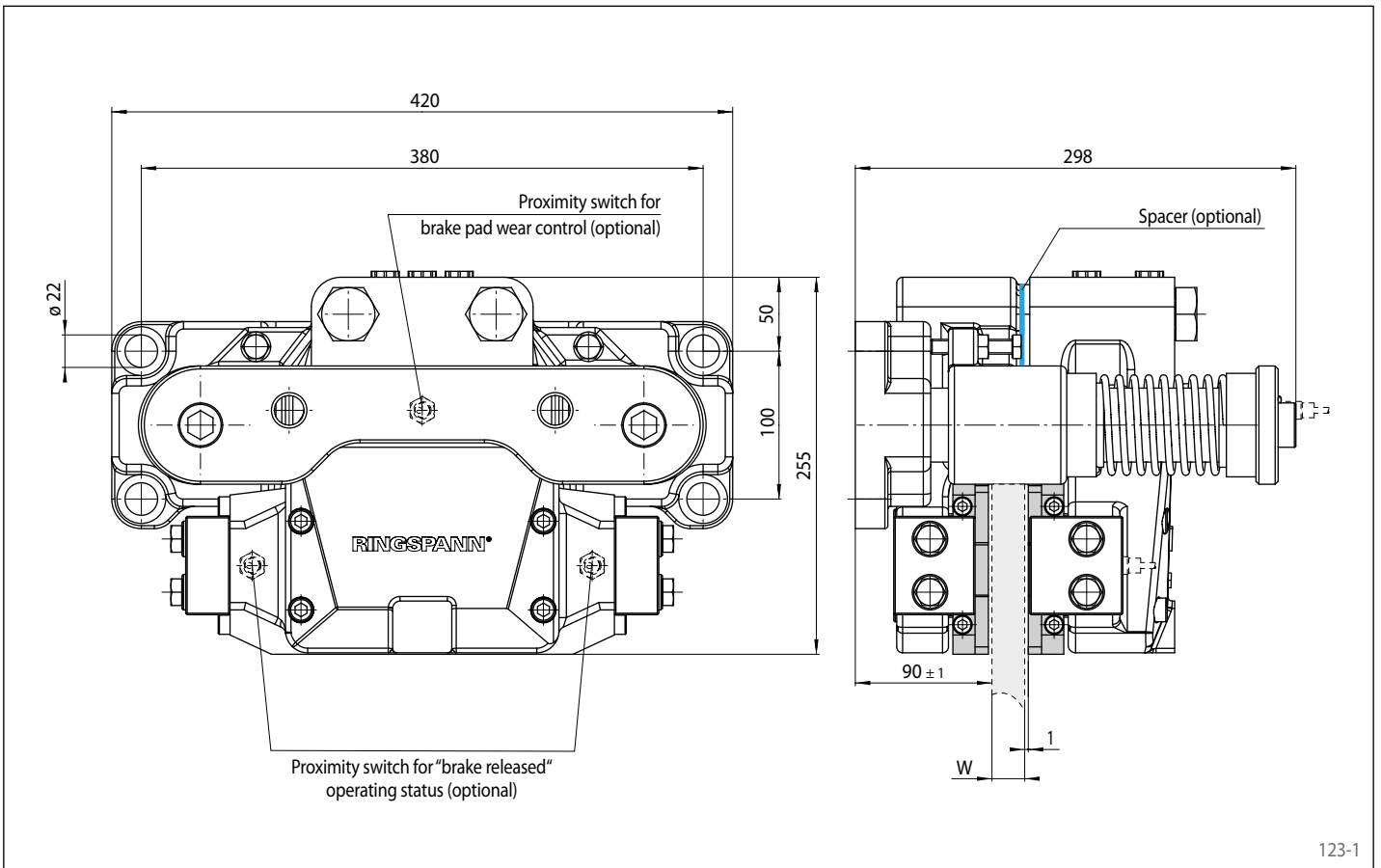
Accessories

- Inductive proximity switch for "brake released" operating status
- Inductive proximity switch for brake pad wear control
- Optional painting with surface coating class C4-H or C5M-H (offshore) according to ISO 12944

The braking torques shown in the diagram are based on a theoretical friction coefficient of 0,4.

Brake Caliper HS 075 HFK

hydraulically activated – spring released



123-1

Mounting

