

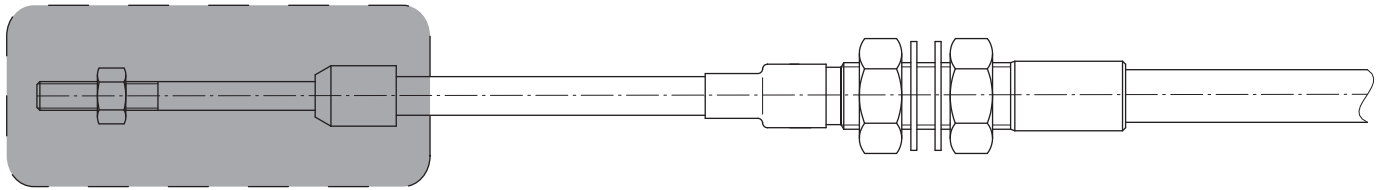


Basic functions

- Non-Locking Control Cable without locking mechanism, button or T-handle (optional)
- Twist Lock Control Cable with T-handle and locking mechanism
- Micro-adjust control cable with quick adjustment via pressure button and fine adjustment with turn handle
- Spring Loaded Control Cable for T-handle (optional) with spring return to mid position

Availability of cable sizes and seals

for cable series 283, 275 and 775



23-1

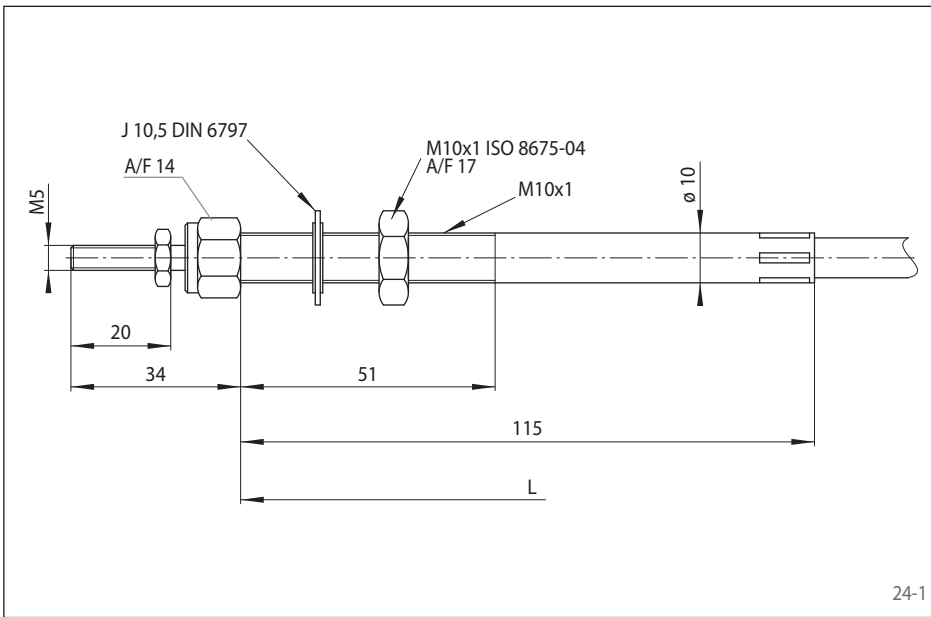
Cable size	Cable series	Outer diameter mm	Thread of rod ends metric/inch	Non-locking control cable – NL – Travel adjustment with button or T-handle	Twist lock control cable – TL – Travel adjustment and one-handed locking mechanism	Micro-adjust control cable – MA – Quick adjustment via pressure button	Spring loaded control cable – VC – Hand operated with spring return	Foot operated cable – VFC – Button with rubber cap
U	283 + 275 775	6,8 7,5	M5 10-32	●	●	●		
V	283 + 275	8,8	M5 10-32	●	●	●	●	●
L	283 + 275 775	13,3 11	M6 1/4-28		●	●		

Cable operating forces (N)

Cable size	Cable series	Non-locking control cable – NL – Travel adjustment with button or T-handle				Twist lock control cable – TL – Travel adjustment and one-handed locking mechanism				Micro-adjust control cable – MA – Quick adjustment via pressure button				Spring loaded control cable – VC – Hand operated with spring return		Foot operated cable – VFC – Button with rubber cap
		Travel Push			Travel Pull	Travel Push			Travel Pull	Travel Push			Travel Pull	Travel Push	Travel Pull	
		25 mm	51 mm	76 mm	25 - 76 mm	25 mm	51 mm	76 mm	25 - 76 mm	25 mm	51 mm	76 mm	25 - 76 mm	51 mm	51 mm	25 mm
U	283 + 275	150	100	70	250	15	10	5	250	15	10	5	250	-	-	-
	775	180	150	100	180	180	150	100	180	180	150	100	180	-	-	-
V	283 + 275	250	220	200	250	50	40	30	250	50	40	30	250	180	250	250
L	283 + 275	-	-	-	-	180	150	100	180	180	150	100	180	-	-	-
	775	-	-	-	-	-	-	-	-	-	-	-	-	-	-	-

Non-locking control cable – NL –

Travel adjustment with button or T-handle



Features

- Easy to use
- Cost-effective and universal

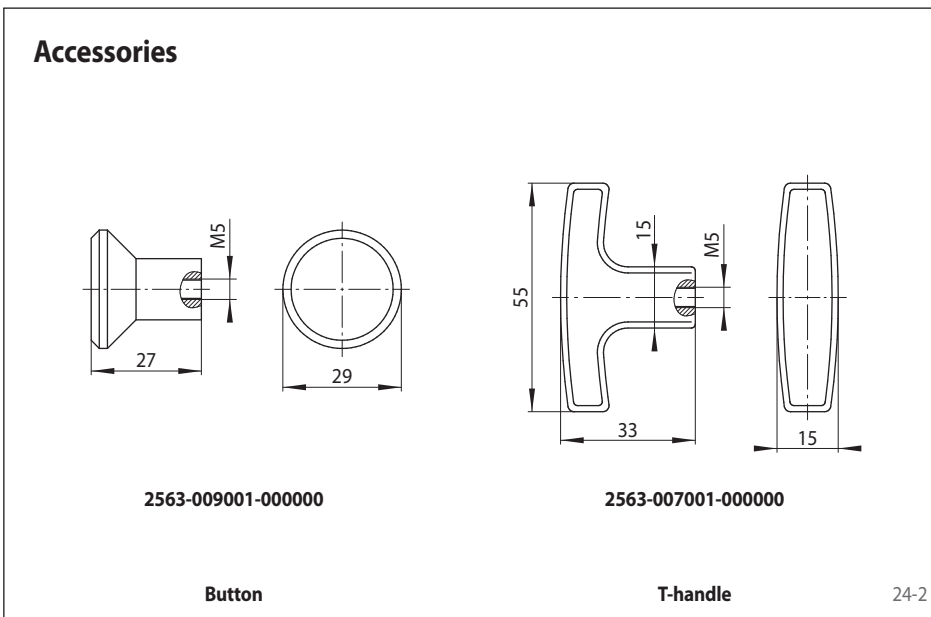
For more information on the design of the cable ends, see page 11 to 13.

Accessories

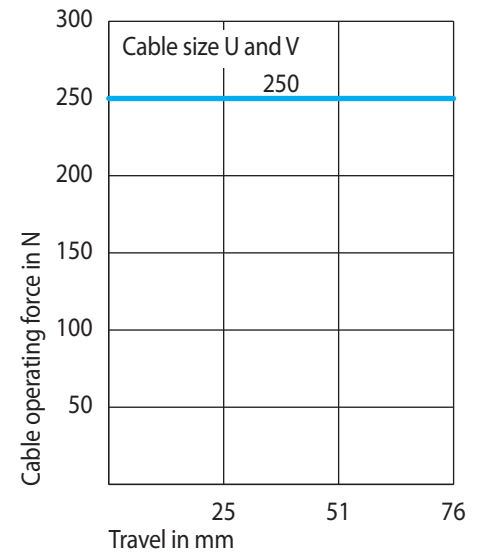
Material: plastic, black

Marking: None, STOP or on request.

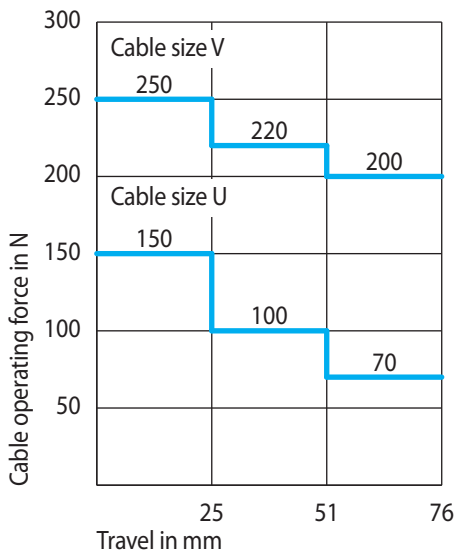
Button or T-handle are not included in the scope of delivery of the cable.



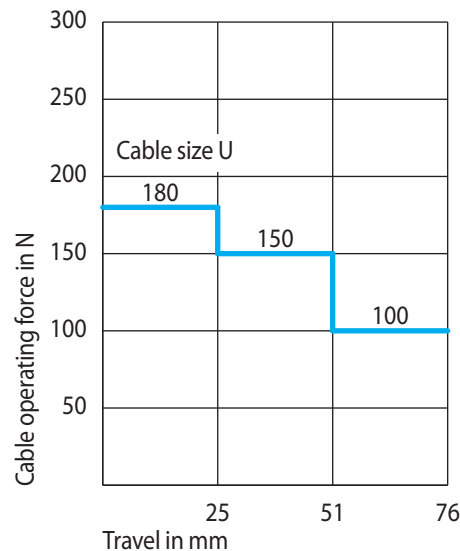
Pull force series 283 and 275



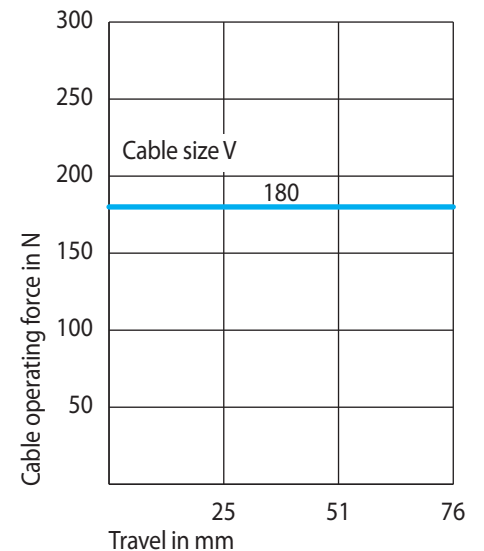
Push force series 283 and 275

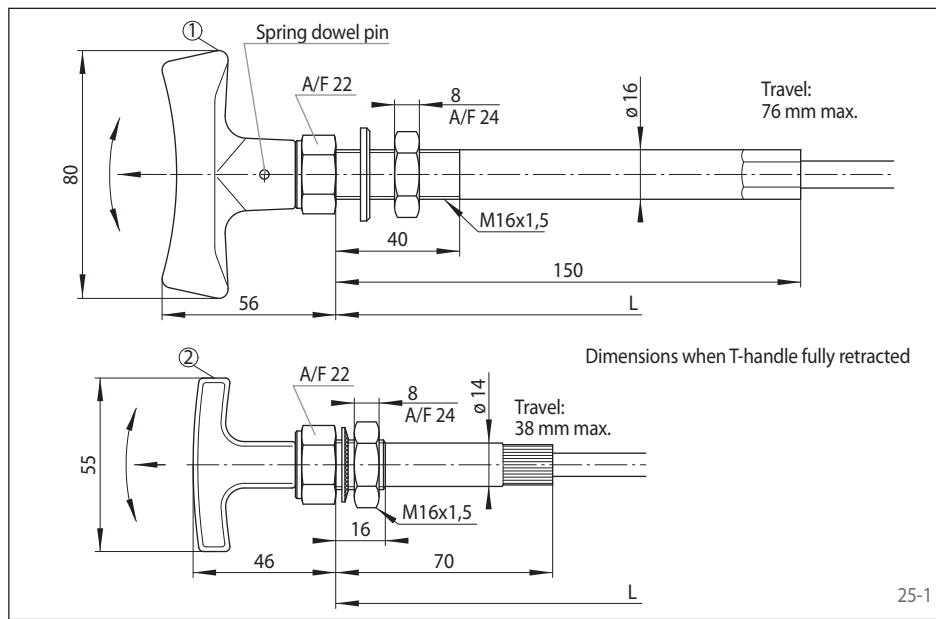


Push force series 775



Pull force series 775

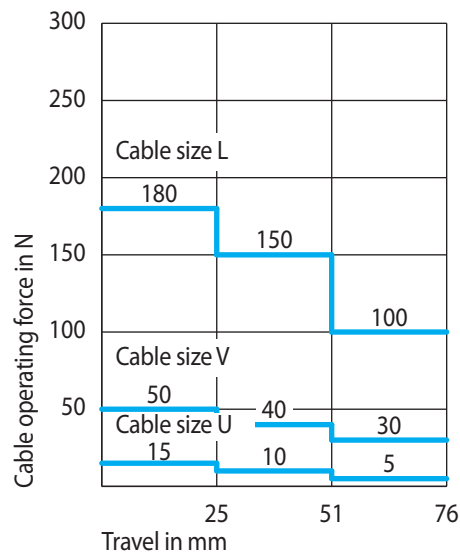




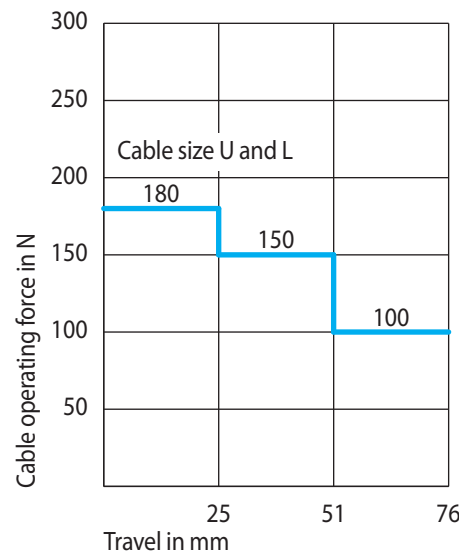
Features

- Travel adjustment and locking mechanism with one hand
 - Easy release and locking
 - Version (1) for max. travel 76 mm or version (2) for max. travel 38 mm
- For more information on the design of the cable ends, see page 11 to 13.

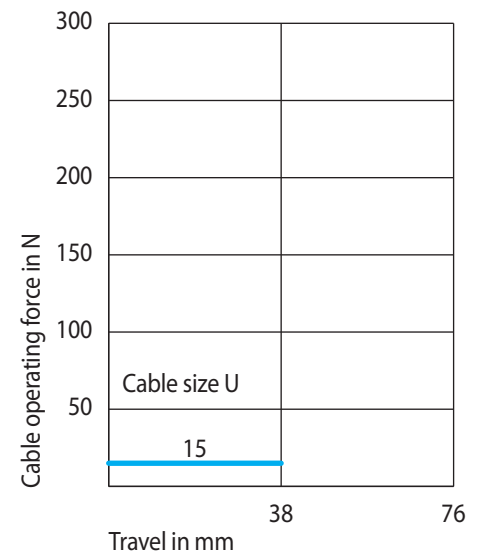
Push force series 283 and 275 - Version 1



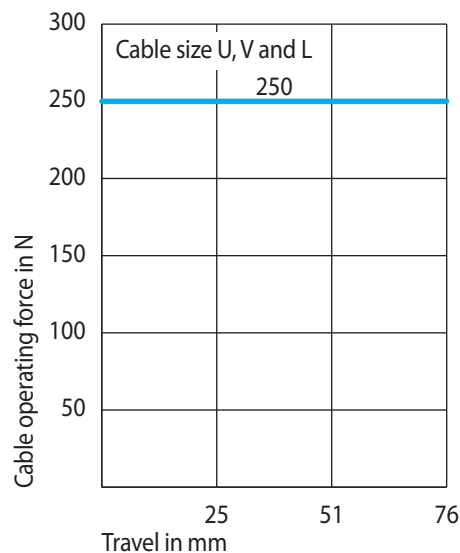
Push force series 775 - Version 1



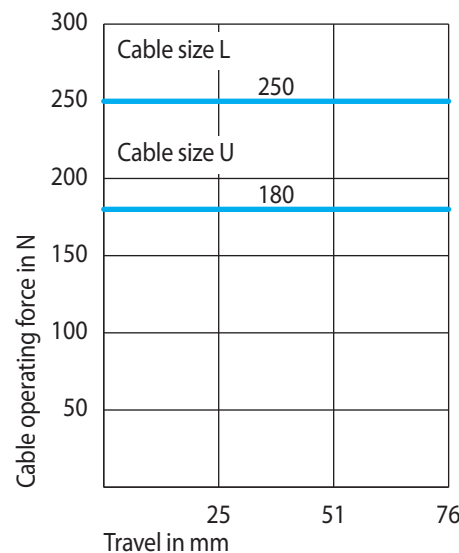
Push force series 275 - Version 2



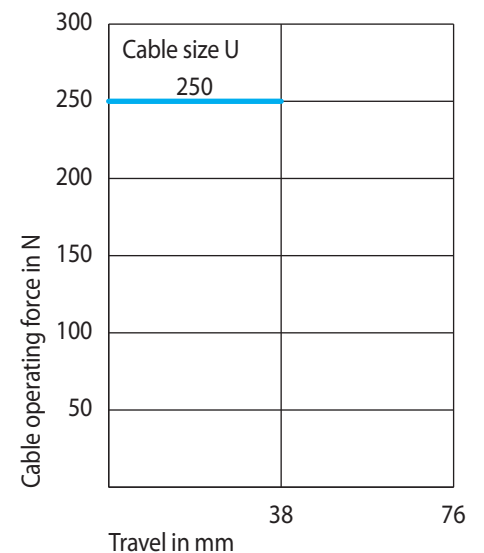
Pull force series 283 and 275 - Version 1

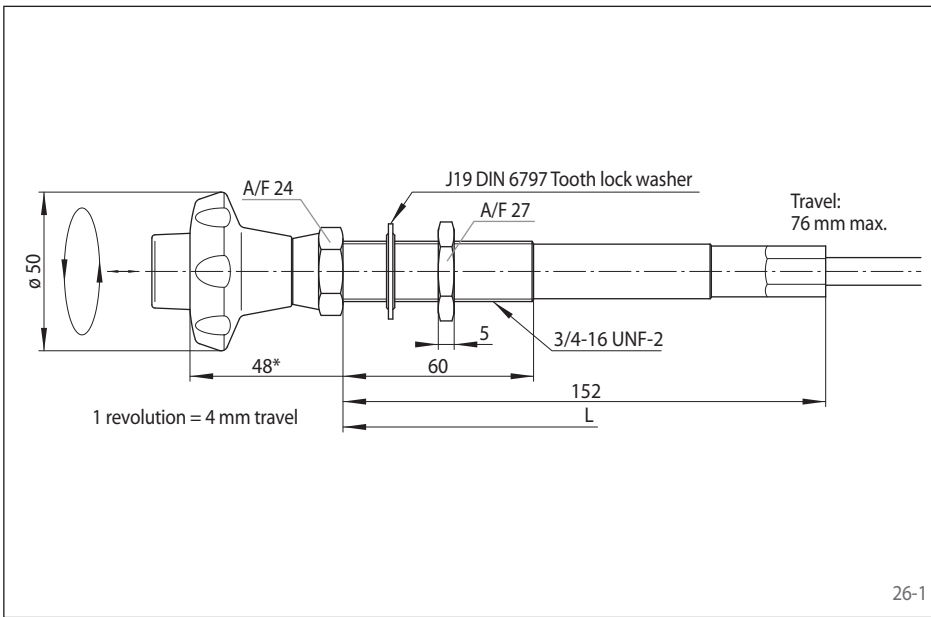


Pull force series 775 - Version 1



Pull force series 275 - Version 2



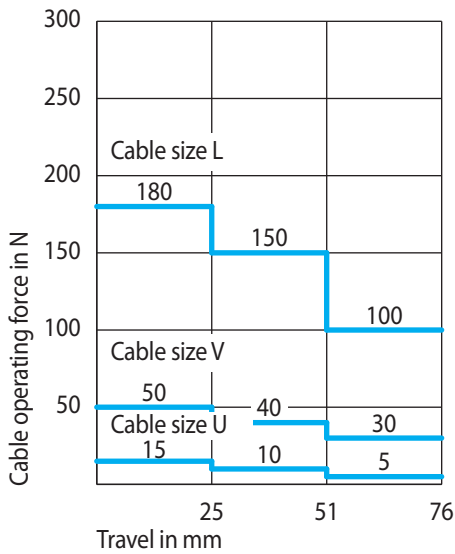


Features

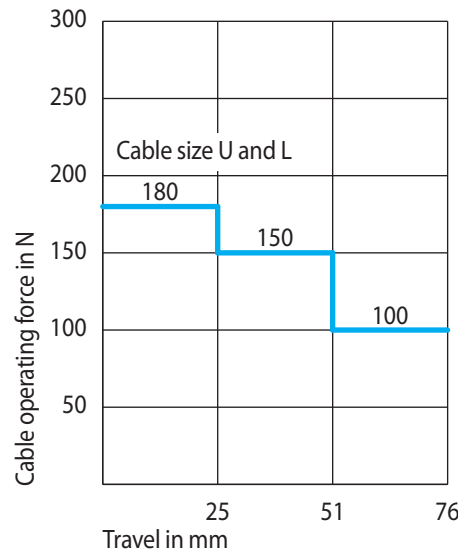
- Quick adjustment via pressure button
- Fine adjustment with a rotating handle
- Emergency off function

For more information on the design of the cable ends, see page 11 to 13.

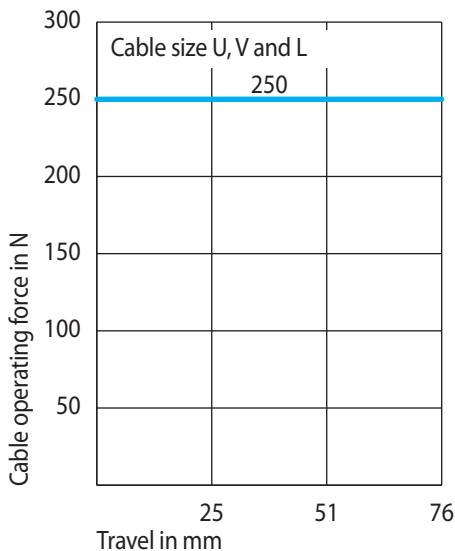
Push force series 283 and 275



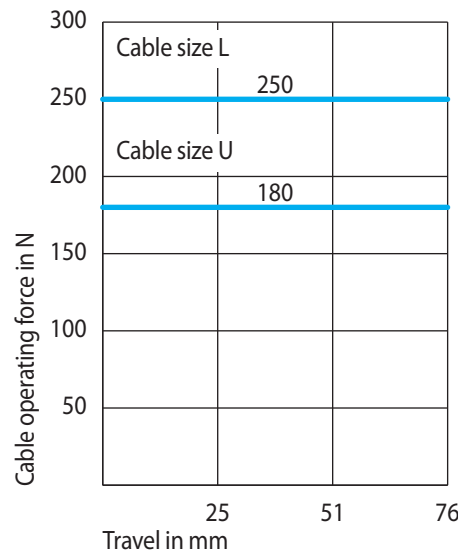
Push force series 775



Pull force series 283 and 275

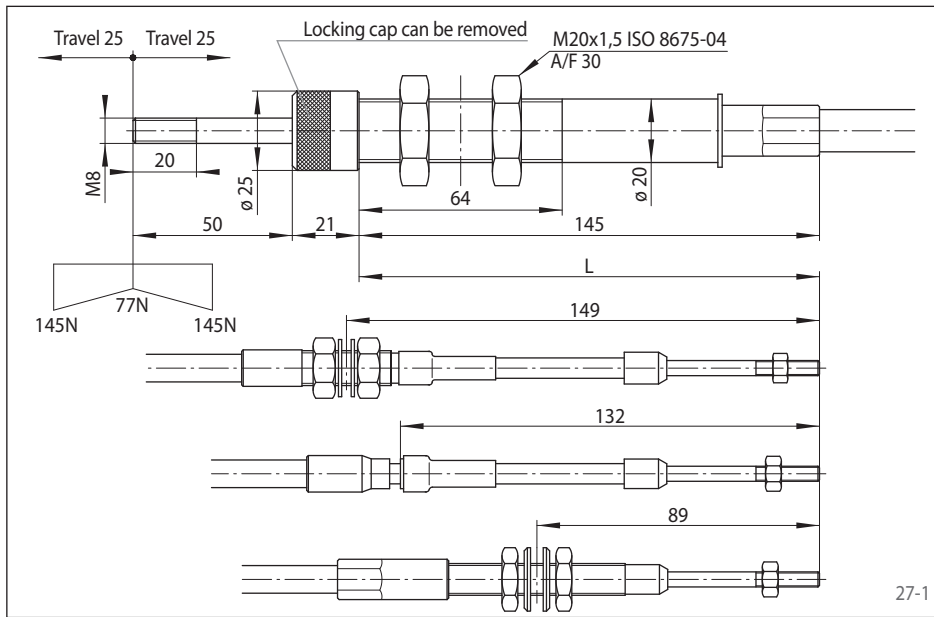


Pull force series 775



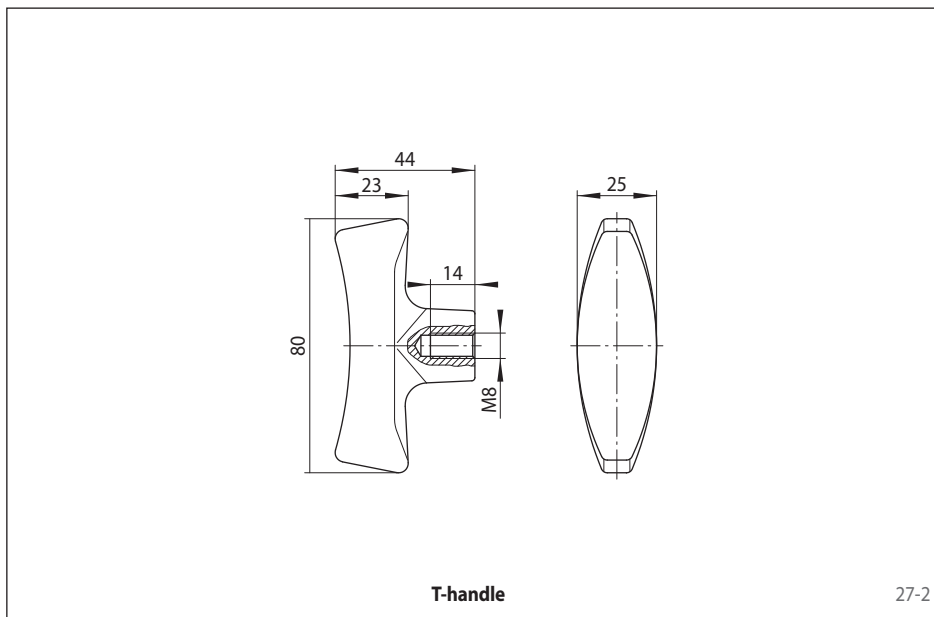
Spring loaded control cable – VC –

Hand operated with spring return
T-handle optional



Features

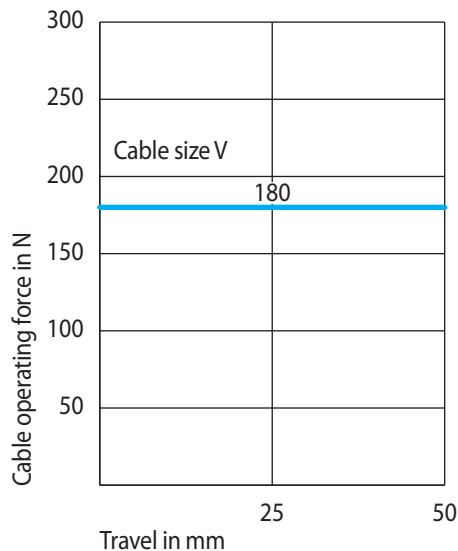
- Hand operated with spring return
- Return in 1/2 travel



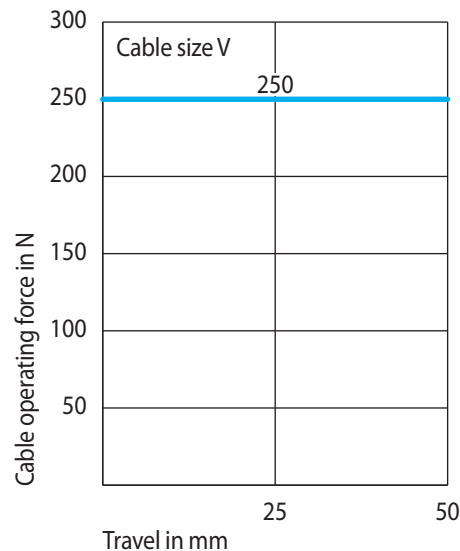
Accessories

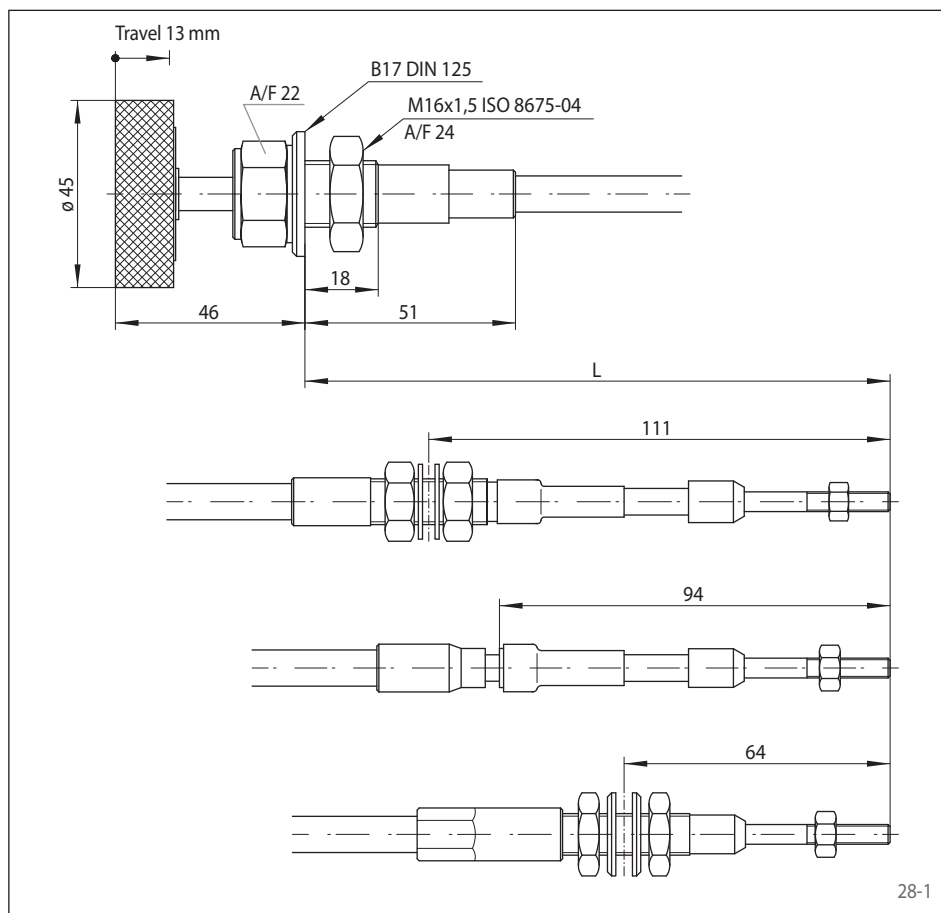
T-handle is not included in the scope of delivery for the cable.

Push force series 283 and 275



Pull force series 283 and 275

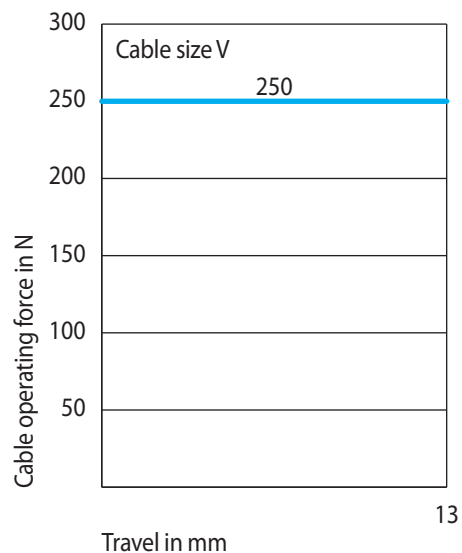




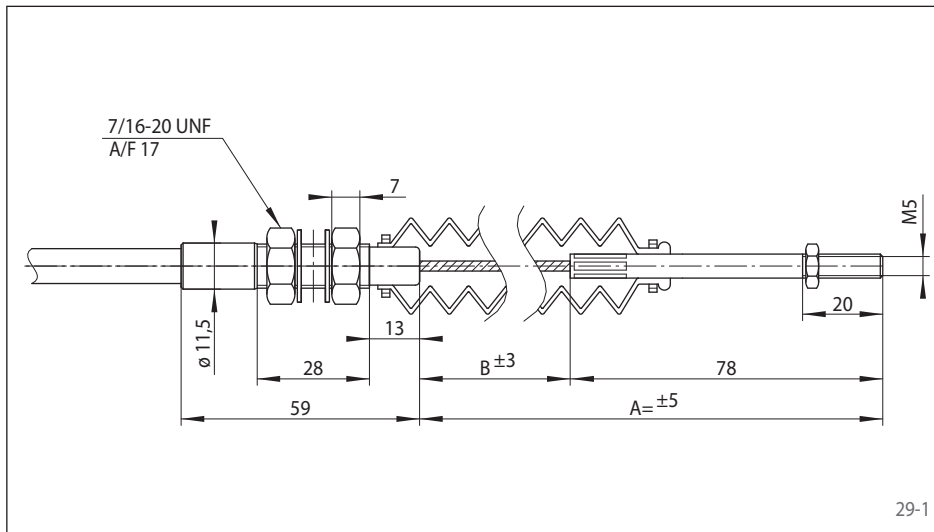
Features

Especially suitable for switching on additional functions, e.g. emergency off button or diesel stop. Function travel: 13 mm, only pressure. Return not carried out automatically, the operated element must have a spring return! The foot-operated button with a profile rubber cap is pivoted to ensure the cable is robust and durable.

Push force series 283 and 275



Open ends, inner member with rod end

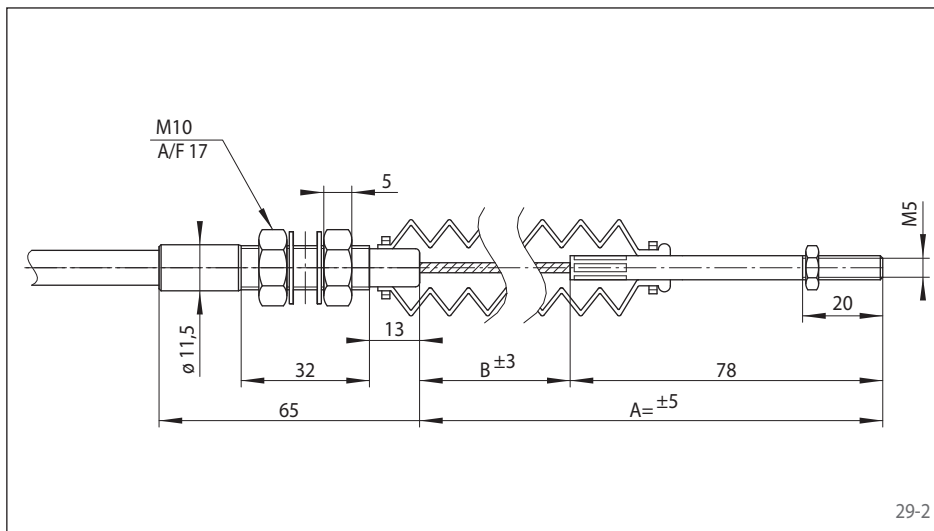


Cable series 283 and 275

for cable size U

Type T00M

Cable end with bulkhead endfitting 7/16-20 UNF, rod end M5 and a bellow

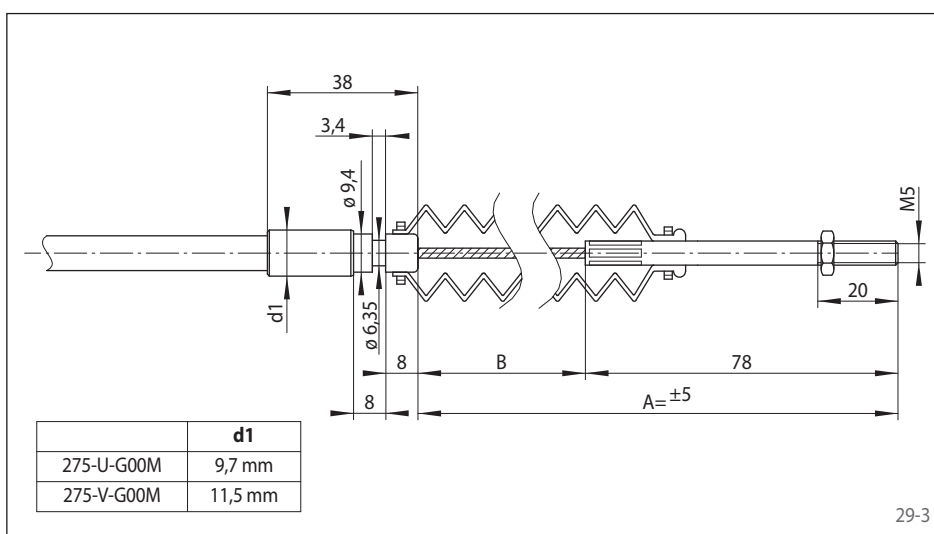


Cable series 275

Cable size V

Type T00M

Cable end with bulkhead endfitting M10, rod end M5 and a bellow



Cable series 275

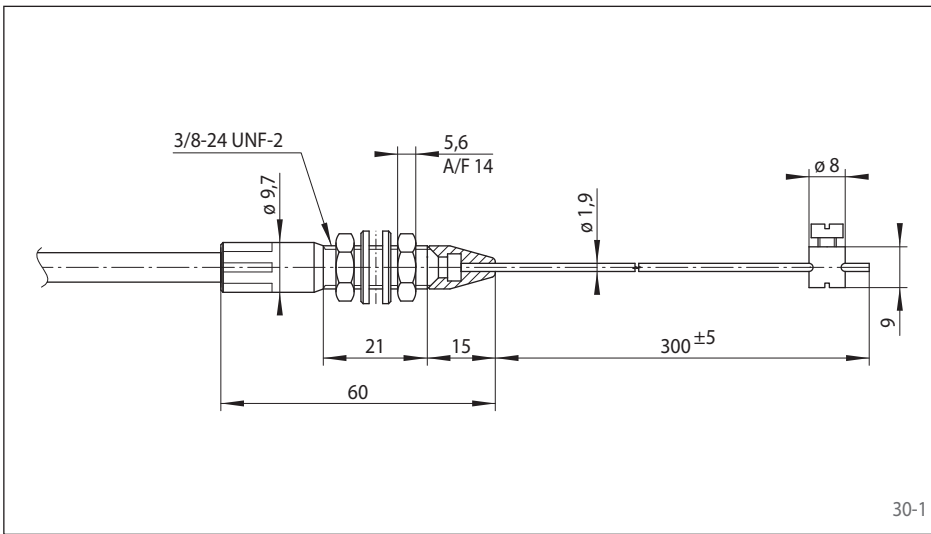
Cable sizes U/V

Type G00M

Clamp endfitting with rod end M5 and a bellow

Remarks

- Dimension A with an inserted function button, $A = B + 78$
- Sealing with optional bellow, $B (\text{min}) = 70$, $B (\text{max}) = 150$
- Dimension B is not included in the type designation and must be specified additionally
- Other versions are available upon request

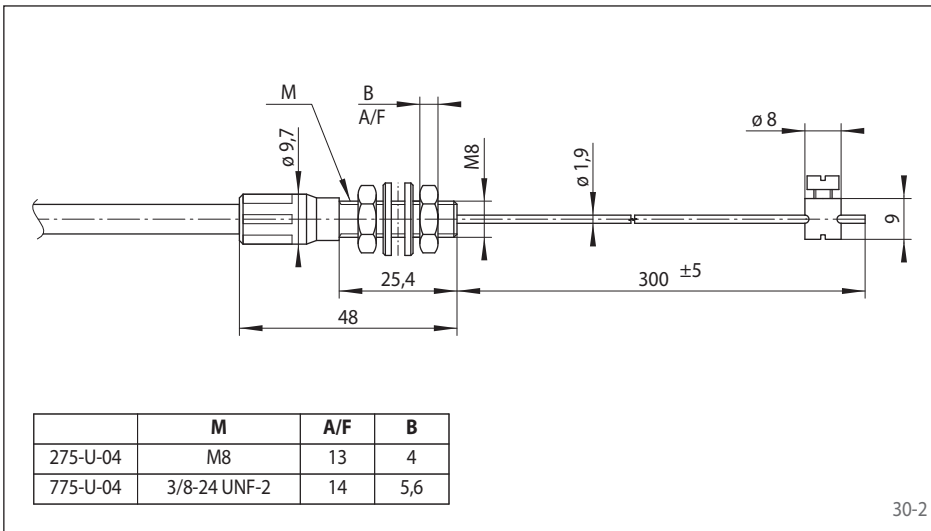


Cable series 775

Cable size U

Type 03

Open cable end with bulkhead endfitting 3/8-24 UNF-2, sealing and screw nipple

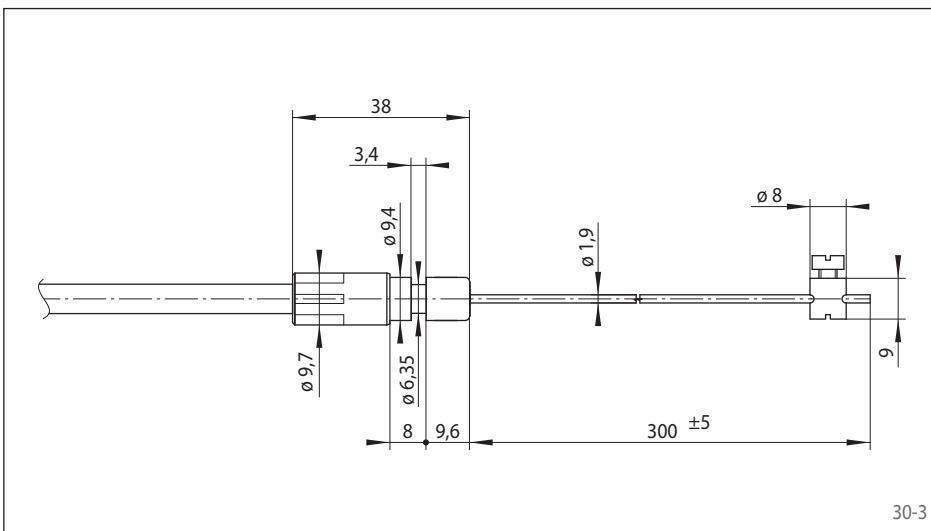


Cable series 275 and 775

Cable size U

Type 04

Open cable end with bulkhead endfitting M8 or 3/8-24 UNF-2 and screw nipple



Cable series 775

Cable size U

Type G00

Open cable end with a clamp endfitting and screw nipple

Remarks

- Dimension 300 with inserted function button
- Other versions are available upon request

Order key for push/pull cables with control heads

Features

Order code:

283 - V - TL / T 05 M - 3 - 0200

Cable serie:

283, 275, 775 or other after consultation

Cable size:

Selection according to operating forces, connection threads, bend radii etc.:
U, V or L

Control head:

According to operation

Connection second end part:

In accordance with installation conditions T, G, S or R

Wiper seal:

Only for cable end parts T, G, S or R
(See catalogue page 10)

Thread at rod end:

Only at end parts T, G, S or R
M for metric,
Z for inch (UNF) thread

Travel code:

The following values are possible as travel code, in compliance with a travel in mm:

1	2	3	4	5	6
25	51	76	102	127	152

Cable length:

Entire length, denoted in cm, principally 4-figure:
e. g.: 3 400 mm = -0340
e. g.: 5 m = -0500

